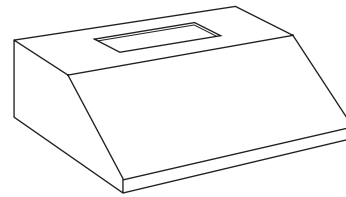


### 64000 SERIES RANGE HOOD



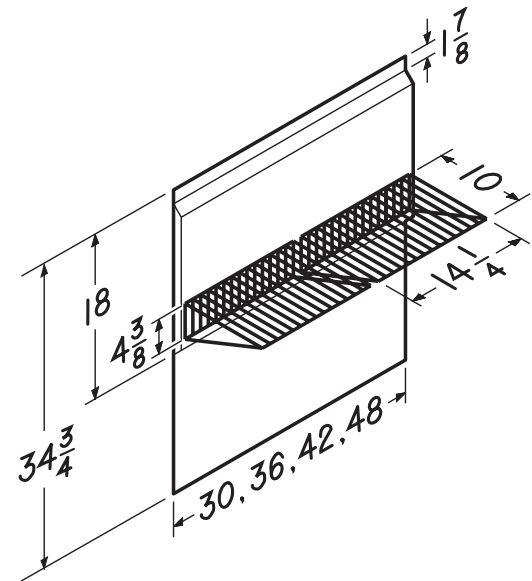
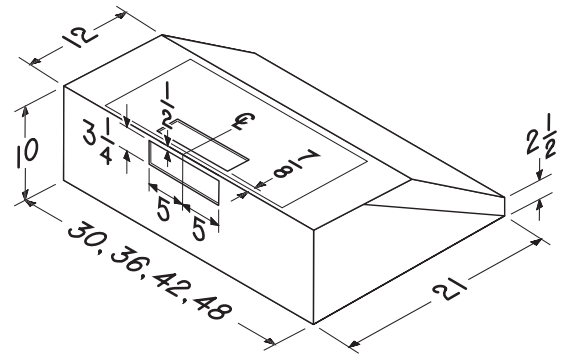
*Intended for domestic cooking only.*

**Provides high ventilation and durable construction to meet the needs of professional-style home cooking appliances.**

*Note: A complete installation requires several optional components. (See back for system diagram.)*

#### FEATURES

- Widths
  - 30" to 48" in 6" increments
- Finishes
  - Stainless Steel (type 430, 22 ga., #4 brush)
  - Appliance colors in White, Black, and Biscuit (22 ga. Galvanneal)
- Filters
  - Aluminum grease filters are dishwasher safe
  - Baffle filters available
- Lamps
  - Halogen lamps (120V, 50W, PAR20)  
2 for 30" & 36" wide hood, 3 for 42" & 48" hoods (Purchase separately)
  - Dual infrared food warming lamps (120V, IR175W, PAR38) (Purchase separately)
  - Warming lamps can be replaced with 90W halogen white lamps (120V, 90W, PAR38)
- Controls
  - Solid-State, infinite-speed blower control with speed memory
  - Exclusive, Heat Sentry™ - turns blower ON to HIGH speed when excess heat is detected
- RMP Series Backsplash (Optional)
  - 30" to 48" widths in 6" increments
  - Stainless Steel construction - protects back wall and wipes clean easily
  - Two, dual-position food warming / condiment storage shelves
- Model RBF Baffle Filters (Optional)
  - Stainless Steel construction for easy cleaning



#### SPECIFICATIONS

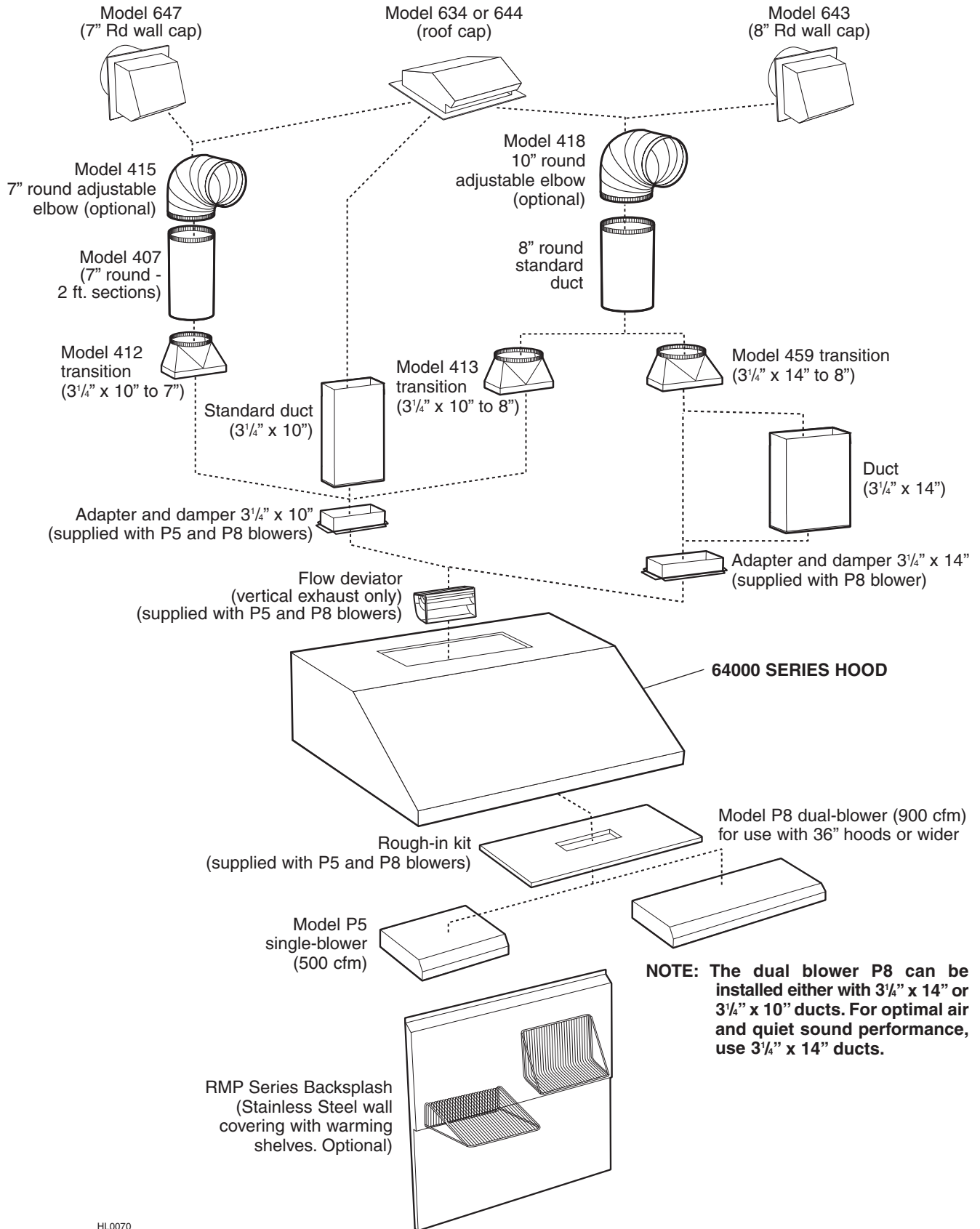
<b>Volts</b>	<b>Hz</b>	<b>Amps (without blower)</b>
120	60	4.2 (42" & 48" hoods) 3.75 (30" & 36" hoods)



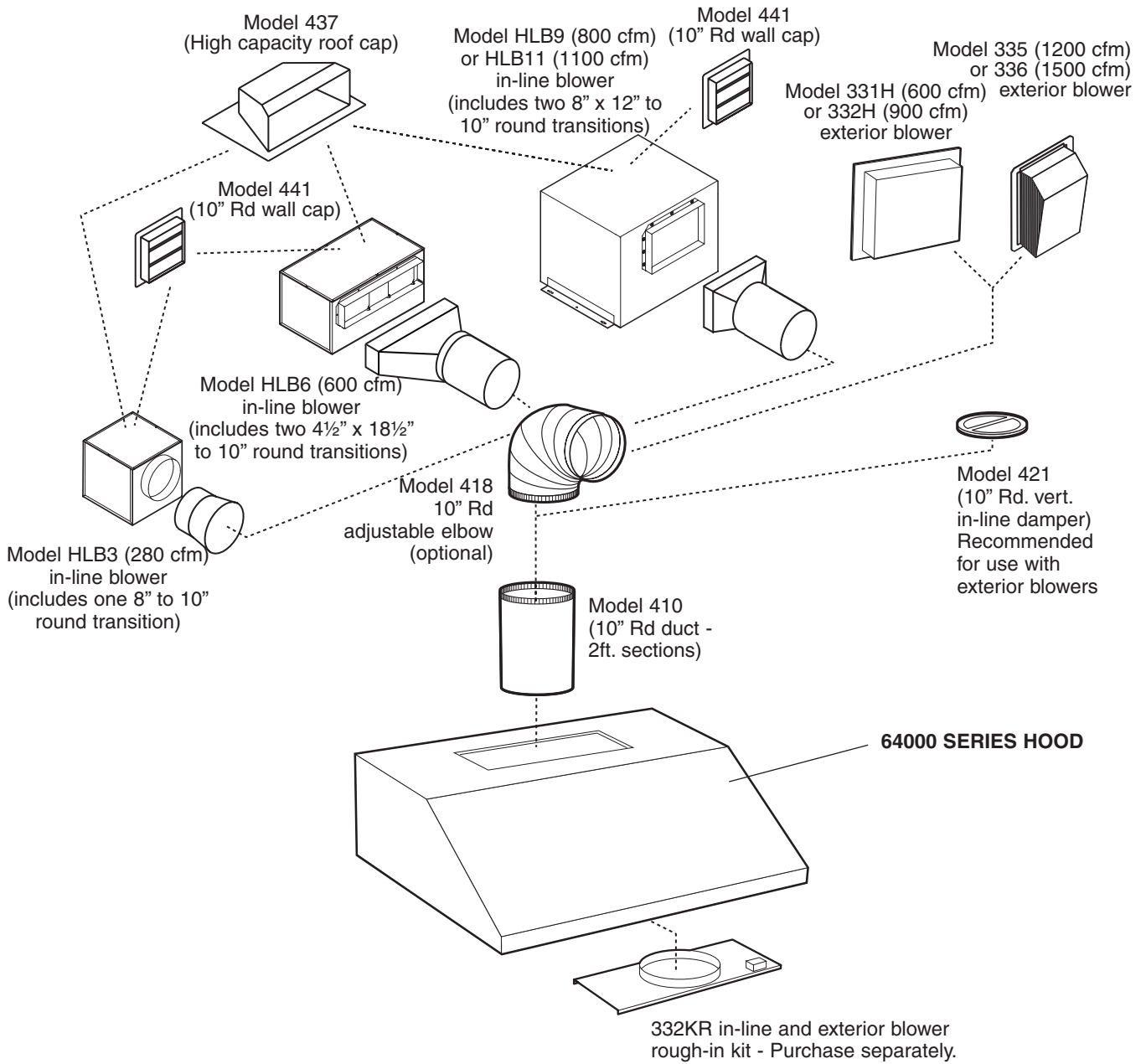
Broan-NuTone LLC, 926 West State Street, Hartford, WI 53027 (1-800-637-1453)

REFERENCE	QTY.	REMARKS	Project
			Location
			Architect
			Engineer
			Contractor
			Submitted by
			Date

# - 64000 SERIES RANGE HOOD SYSTEM - INTERIOR BLOWERS



# - 64000 SERIES RANGE HOOD SYSTEM - IN-LINE AND EXTERIOR BLOWERS



RMP Series Backsplash  
(Stainless Steel wall covering with warming shelves. Optional)

