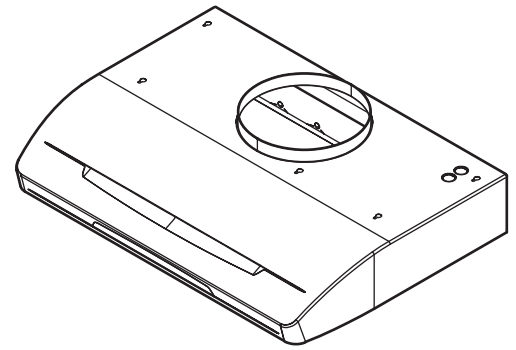


### E662E RANGE HOOD

For use with External Blowers



The Broan Elite E662E model is part of our new generation of range hoods: stylish, powerful, and most of all, quieter than ever.

#### FEATURES

- Sleek, classic smooth shell design makes cleaning easy
- Created to work over high BTU residential grade cooking equipment
- Colors available: White or Black durable powder-coated paint finishes for 30" and 36" widths, and Stainless Steel for 30", 36" or 42" widths
- Dishwasher safe stainless steel and aluminum filters with metal latch
- Recessed bottom and forward filters increase capture capability
- Dual 50-Watt halogen lights focus toward the center for brilliant full cooktop lighting (MR16 GU10 bulbs not included)
- External blower options (sold separately) provides exhaust options ranging from 280 to 1500 cfm
- Seamless glass-look control
- Variable delay shut-off feature; 5, 10, 15 or 20-minute settings
- Exclusive I-Control™ senses the touch of a finger without moving parts, smooth design for easy cleaning
- Self-locking control to avoid accidental operation when being cleaned
- Broan Heat Sentry - automatically turns blower to high speed when excess cooking heat is detected

#### TYPICAL SPECIFICATION

Range hood shall be Broan Elite E662E.  
 Unit will have all over smooth design, with no sharp edges. Finish to be powder-coated paint (brushed finish stainless steel). It must have a fully enclosed stainless steel bottom and full stainless steel and aluminum filters.  
 Range hood to have twin, 50-watt (max.) halogen flood max. Blower and light shall be operated using a specially-designed, 3-speed control with boost, memorizes last setting, with 5, 10, 15, 20-minute delayed "off".  
 External blower options ranging from 280 to 1500 cfm.  
 Unit shall be U.L. and cU.L. listed.

#### SPECIFICATIONS

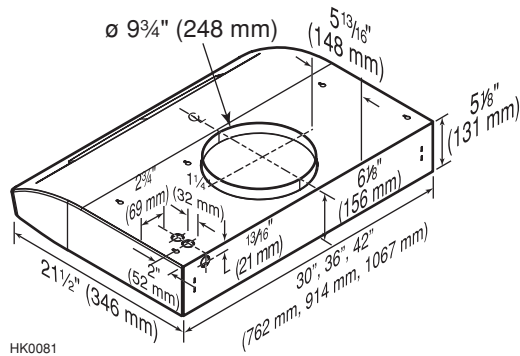
<b>Volts</b>	120
<b>HZ</b>	60
<b>Controls</b>	3-speed electronic with memory, plus Boost mode
<b>Halogen flood light</b>	MR16 GU10, 2 bulbs required, not included
<b>Broan Heat Sentry</b>	Yes



Broan-NuTone LLC, 926 West State Street, Hartford, WI 53027 (1-800-637-1453)  
 Broan-NuTone Canada, Inc., 1140 Tristar Drive, Mississauga, Ontario, L5T 1H9 (1-888-882-7626)

REFERENCE	QTY.	REMARKS	Project
			Location
			Architect
			Engineer
			Contractor
			Submitted by
			Date

# BROAN ELITE E662E DIMENSIONS



# BROAN ELITE E662E HOOD SYSTEM

