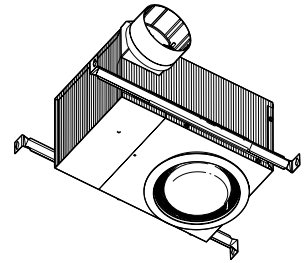


MODEL 744SFL HUMIDITY SENSING RECESSED FAN / FLUORESCENT LIGHT



Add lighting and ventilation to your room - with the look of an ordinary recessed light.

FEATURES

TRIM RING BAFFLE:

- Polymeric construction with matte white finish
- Recessed styling, mounts flush with finished ceiling
- Integrated humidity sensor

LAMP:

- Uses R30-shaped, 3500K, 14W, high efficacy, compact fluorescent lamp with GX24q-1 base (included)
- Electronic ballast

BLOWER:

- Plug-in, permanently lubricated, motor
- Dynamically balanced centrifugal blower wheel for quiet, efficient performance
- Quiet operation

HOUSING:

- Fits in 2" x 8" construction
- Rugged, 26 gage, galvanized steel construction
- 4" round, polymeric duct connector with 2" tapered sleeve and no metallic clatter
- Adjustable mounting brackets span up to 24"

CONTROLS: (purchase separately)

- Model 69VL (Ivory) / 69WL (White) - One rocker switch with "on" indicator light
- Model 68V (Ivory) / 68W (White) - Two rocker switches

U.L. Listed for use in insulated ceilings (TYPE I.C.)

U.L. Listed for use over bathtubs and showers when connected to a GFCI protected branch circuit.

Title 24 compliant.

ENERGY STAR qualified.

AUTOMATIC CONTROL:

- Humidity control automatically turns fan ON when either of these conditions is detected:
 - a rapid to moderate (user adjustable) increase of humidity
 - humidity above user-adjustable set-point (50%-100% RH)
- Two wire manual operation for odor control - Turns fan ON when power line through wall switch is cycled ON, OFF and back ON
- Remains ON for a user-adjustable 5 to 60 minutes after humidity has stabilized and is below set-point or after manually initiated through power line cycling
- Saves energy because unit runs only for the time required. A unit controlled with a wall timer may keep fan ON longer than required or turn it OFF before room is sufficiently ventilated



Broan-NuTone LLC Hartford, Wisconsin www.broan.com 800-558-1711
Broan-NuTone Canada Mississauga, Ontario www.broan.ca 877-896-1119

REFERENCE	QTY.	REMARKS	Project	
			Location	Date
			Architect	
			Engineer	
			Contractor	
			Submitted by	

TYPICAL SPECIFICATION

Fan / Light shall be Broan Model 744SFL.

Fan / Light shall have corrosion resistant steel housing and adjustable mounting brackets.

Motor assembly to be removable and permanently lubricated.

Non-metallic damper/duct connector to be included.

Fan and Light to operate separately or in combination.

Fan / Light must use an R30-shaped, 3500K, 14W, high efficacy, pin-based, compact fluorescent lamp and an electronic ballast.

Air delivery shall be no less than 70 CFM and sound level no greater than 1.5 Sones. All air and sound ratings shall be certified by HVI.

Fan / Light must be U.L. and cU.L. Listed for use in insulated ceilings (Type I.C.).

Fan / Light must be Title 24 compliant.

Fan / Light must be ENERGY STAR qualified.

The unit will have a control that will automatically turn fan ON when humidity increase is rapid to moderate (user adjustable), or when humidity is higher than user-adjustable set-point (50%-100% Relative Humidity), or when supply power is cycled from ON (for more than a second) to OFF (for less than a second) and back ON. It shall be user-adjustable to turn OFF 5 to 60 minutes after humidity has stabilized and is below user-adjustable set-point, or after manually initiated by supply power cycling.

MODEL 744SFL HUMIDITY SENSING RECESSED FAN / FLUORESCENT LIGHT

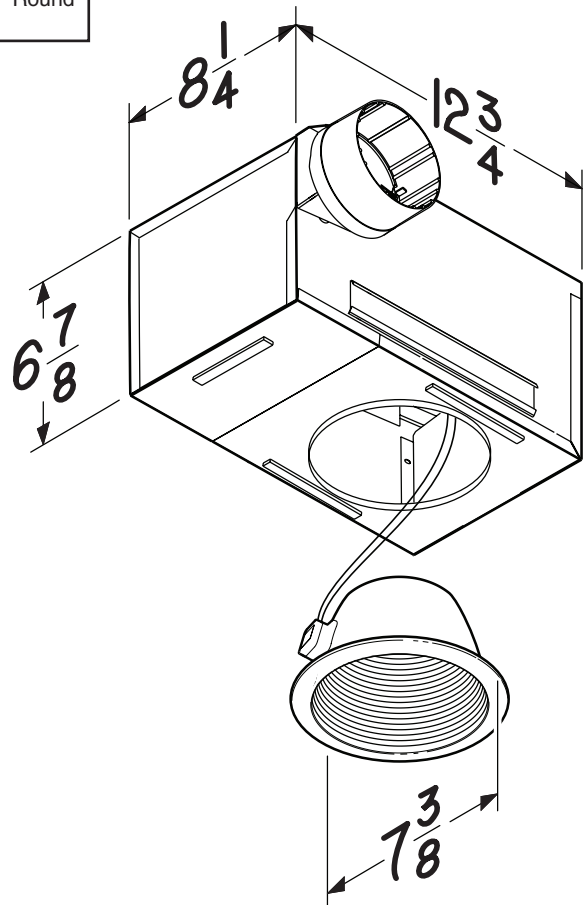
SPECIFICATIONS

MODEL	VOLTS	AMPS*	STATIC PRESSURE	CFM	SONES	FAN WATTS	DUCT
744SFL	120	0.5	0.10	70	1.5	34.4	4" Round
			0.25	55			

* Total Connected Load



HVI-2100 CERTIFIED RATINGS comply with new testing technologies and procedures prescribed by the Home Ventilating Institute, for off-the-shelf products, as they are available to consumers. Product performance is rated at 0.1 in. static pressure, based on tests conducted in a state-of-the-art test laboratory. Sones are a measure of humanly-perceived loudness, based on laboratory measurements.



Broan-NuTone LLC Hartford, Wisconsin www.broan.com 800-558-1711
Broan-NuTone Canada Mississauga, Ontario www.broan.ca 877-896-1119