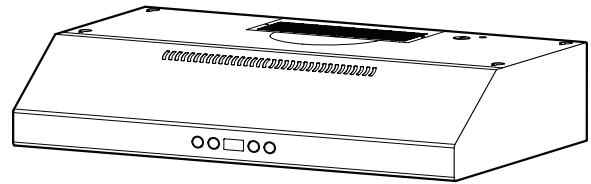


CBX1 SERIES CONVERTIBLE RANGE HOOD



Designed to bring modern style to today's kitchens. The CBX1 utilizes a patented air chamber design that provides quiet performance that consumers demand.

FEATURES

- Sleek, 6" design
- Available in 30" width in Stainless Steel
- Capacitive touch control with LCD and blue backlight indicators
- Three speed fan control with 10-minute delay off
- Three level light control
- Dual LED (includes 2 - 6W, 3000K bulbs)
- 30-hour filter clean indicator
- Heat Sentry feature - detects excessive heat and adjusts fan speed to high automatically
- Fully enclosed bottom design and dishwasher safe filter allows for easy cleanability
- Versatile design allows for 3¼" x 10" vertical or horizontal, 7" round, or non-ducted discharges
- 3¼" x 10" damper/duct connector included
- 7" round duct adapter plate included
- For indoor use only

SPECIFICATIONS

VOLTS	AMPS	HZ	CFM		SONES		DUCT
			MAX.	NORM.	MAX.	NORM.	
120	1.9	60	190	110	4.5	1.5	3¼" x 10" (Horiz.)
			200	130	5.0	2.0	3¼" x 10" (Vert.)
			250	150	4.5	2.0	7" Round (Vert.)
			--	--	--	--	Non-Ducted



HVI-2100 CERTIFIED RATINGS comply with new testing technologies and procedures prescribed by the Home Ventilating Institute, for off-the-shelf products, as they are available to consumers. Product performance is rated at 0.1 in. static pressure, based on tests conducted in a state-of-the-art test laboratory. Sones are a measure of humanly-perceived loudness, based on laboratory measurements.

TYPICAL SPECIFICATION

Range hood shall be Broan CBX1 Series.

Unit shall be convertible between ducted (using a washable aluminum filter) and non-ducted (using non-ducted filter BPQTF).

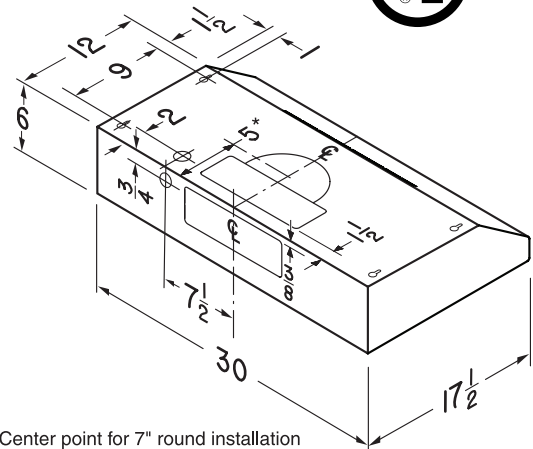
Motor to be permanently lubricated.

Unit shall have 3-speed fan control with 10-minute delay off, 3-level light control, 30-hour filter clean indicator, and include a Heat Sentry feature.

Bottom edges hemmed with no sharp edges.

Air delivery shall be no less and sound levels no greater than shown. All air and sound ratings shall be certified by HVI.

Unit shall be U.L. listed.



* Center point for 7" round installation

Broan-NuTone LLC Hartford, Wisconsin www.broan.com 800-558-1711

REFERENCE	QTY.	REMARKS	Project
			Location
			Architect
			Engineer
			Contractor
			Submitted by Date