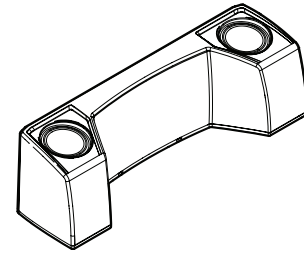


ACCESSORY SPEAKER



READ AND SAVE THESE INSTRUCTIONS

Video instructions also available at www.nutone.com

APPLICATION

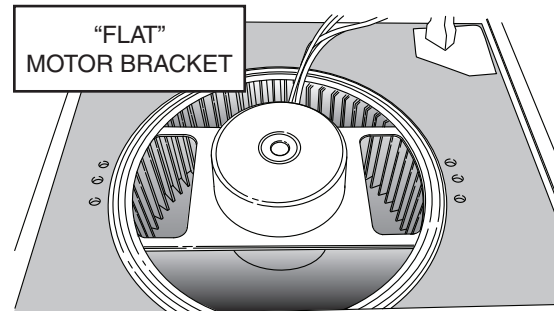
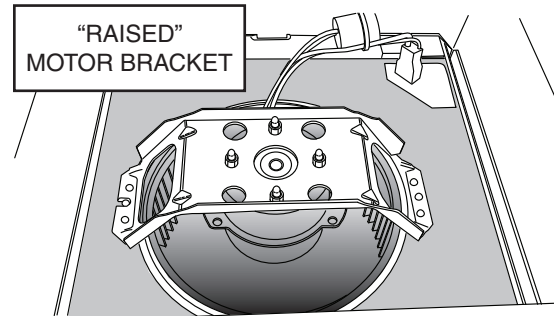
The SPKACC is a Hi-Fidelity, *Bluetooth*® wireless technology enabled accessory that works with all QT-series Broan and NuTone bath fans except: fans with humidity sensing, fans equipped with heaters, and fans controlled with variable speed controls.

The SPKACC can be used only with the models shown in this chart:

BROAN MODELS	NUTONE MODELS	BROAN MODELS CANADA	NUTONE MODELS CANADA
QT110E	QTN110E	QTR090C	QTN130EC *
QT130E *	QTN110LE	QTR090LC	QTRN090C
QT130LE *	QTN130E *	QTR090RC	QTRN110C
QT140LE *	QTN130LE	QTR100C	QTRN110LC
QT140E *	QTN80E	QTR110C	QTRN130EC *
QTR080	QTN80L	QTR110LC	QTREN070C
QTR080L	QTREN080	QTR110RC	QTREN070FLC
QTR110	QTREN080FLT	QTRE050RF	QTREN080C
QTR110L	QTREN110	QTRE070C	QTREN090C
QT110LE	QTREN110FLT	QTRE070FLC	QTREN090FLC
QTR140	QTRN080	QTRE075C	QTREN110C
QTR140L	QTRN080L	QTRE080C	QTREN110FLC
QTRE080	QTRN110	QTRE080C2S	QTXEN050C
QTRE080FLT	QTRN110L	QTRE090C	QTXEN080C
QTRE080R	QTN130LE1 *	QTRE090FLC	QTXEN090C
QTRE110	QTXEN050	QTRE110C	QTXEN110C
QTRE110FLT	QTXEN080	QTRE110RC	QTXEN150C *
QTRE110FLFT	QTXEN080FLT	QTRE110RF	
QTXE050	QTXEN110	QTRE110FLC	
QTXE080	QTXEN110FLT	QTXE050C	
QTXE080FLT	QTXEN150 *	QTXE080C	
QTXE110	QTXEN150FLT *	QTXE090C	
QTXE110FLT	QTREN080F	QTXE110C	
QTXE150 *	QTREN080FLFT	QTXE150C *	
QTXE150FLT *	QTREN110F	FQTR110C	
QTR050F	QTREN110FLFT	FQTRE050C	
QTR080F	QTRN050F	FQTRE070C	
QTR110F	QTRN080F	FQTRE080C	
QTRE080F	QTRN110F	FQTRE110C	
QTRE080FLFT	QTXRN000HF	FQTRE110MG	
QTRE110F	QTXRN000HL	FQTXE050C	
QT80E		FQTXE110C	
QT80L			
QT90E			
QT90L			
SSQTXE080			
SSQTXE110			

* The SPKACC speaker accessory **WILL ONLY FIT** these models if the models were manufactured **before** October 2015. These models have one of two styles of metal motor bracket shown in the SPKACC installation manual.

The SPKACC speaker accessory **WILL NOT FIT** these models if the models were manufactured **after** October 2015. These models have the motor surrounded by a round, black plastic housing/casing.



Determine which **MOTOR BRACKET** is used in your fan.

The *Bluetooth*® word mark and logos are registered trademarks owned by *Bluetooth*® SIG, Inc. and any use of such marks by Broan-NuTone LLC is under license. Other trademark and trade names are those of their respective owners.

NOTE: This equipment has been tested and found to comply with the limits for a Class B digital device, pursuant to Part 15 of the FCC Rules. These limits are designed to provide reasonable protection against harmful interference in a residential installation. This equipment generates, uses and can radiate radio frequency energy and, if not installed and used in accordance with the instructions, may cause harmful interference to radio communications. However, there is no guarantee that interference will not occur in a particular installation. If this equipment does cause harmful interference to radio or television reception, which can be determined by turning the equipment off and on, the user is encouraged to try to correct the interference by one or more of the following measures:

- Reorient or relocate the receiving antenna.
- Increase the separation between the equipment and receiver.
- Connect the equipment into an outlet on a circuit different from that to which the receiver is connected.
- Consult the dealer or an experienced radio/TV technician for help.

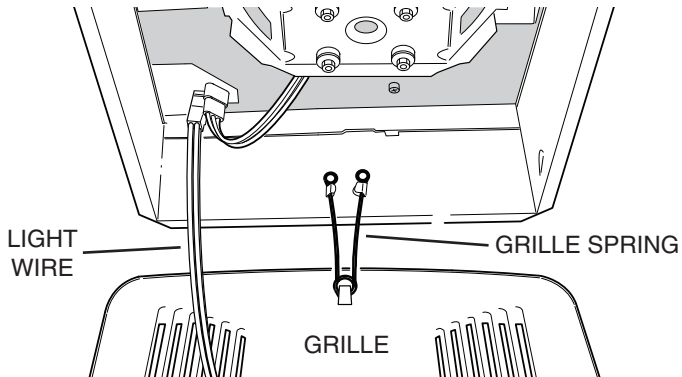
This device complies with Part 15 of the FCC Rules and RSS-210 of Canada. Operation is subject to the following two conditions:

(1) This device may not cause interference, and (2) this device must accept any interference received, including interference that may cause undesired operation. FCC ID: 2ADLL-99528551 IC: 2143B-99528551

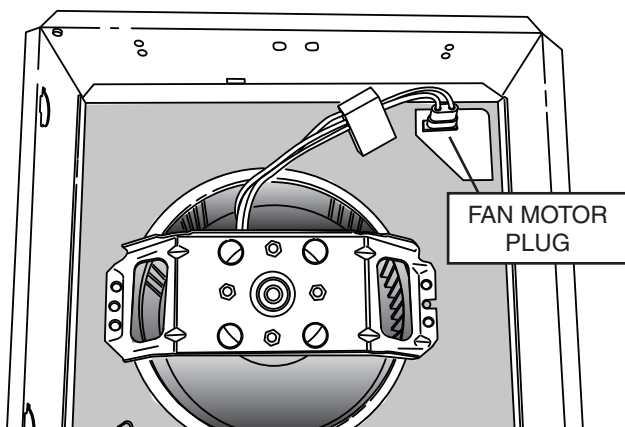
This *Bluetooth*® wireless technology enabled Speaker complies with FCC radiation exposure limits set forth for an uncontrolled environment. End users must follow the specific operating instructions for satisfying exposure compliance. This speaker must not be co-located or operate in conjunction with any other antenna or transmitter. Changes or modifications not expressly approved by the party responsible for compliance could void the user's authority to operate the equipment.

INSTALLATION WITH “RAISED” MOTOR BRACKET

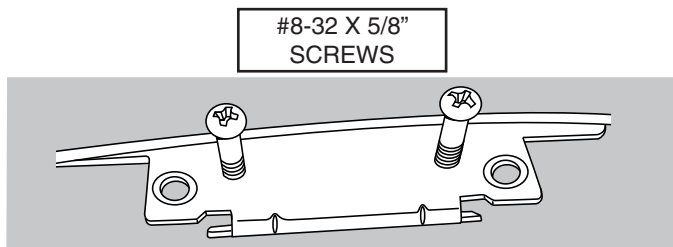
1. **TO REDUCE THE RISK OF FIRE, ELECTRIC SHOCK, OR INJURY TO PERSONS:** Switch power off at service panel and lock the service disconnecting means to prevent power from being switched on accidentally. When the service disconnecting means cannot be locked, securely fasten a prominent warning device, such as a tag, to the service panel.



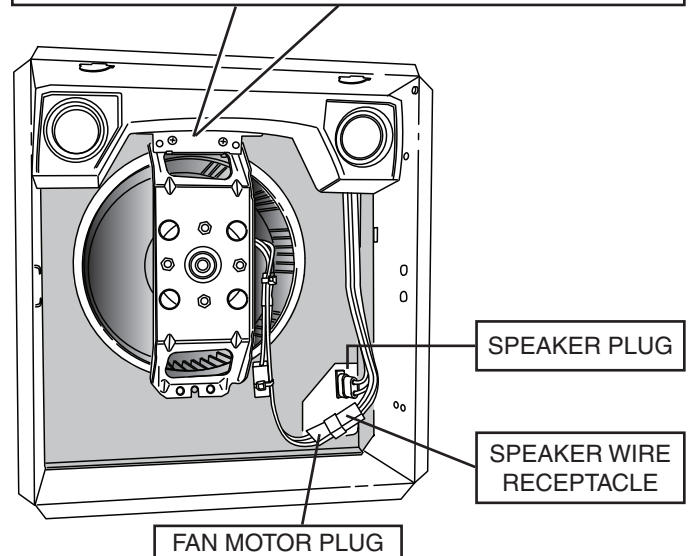
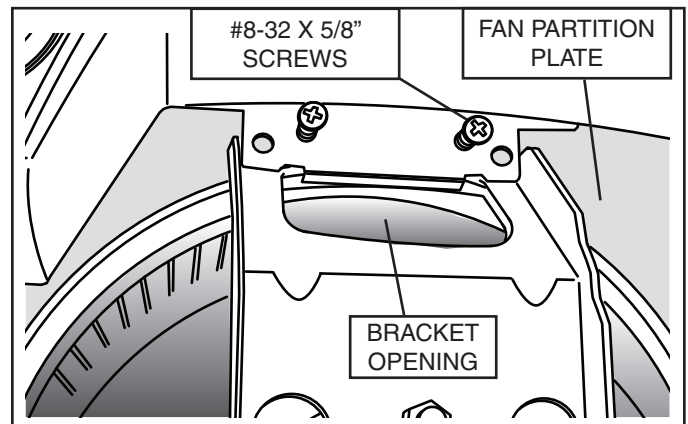
2. Remove fan **GRILLE** by squeezing two **GRILLE SPRINGS** and sliding them out of their mounting slots on each side of the fan housing. Disconnect **LIGHT WIRE** from fan (if fan is equipped with a light). Set grille assembly aside for now.



3. Disconnect **FAN MOTOR PLUG**.



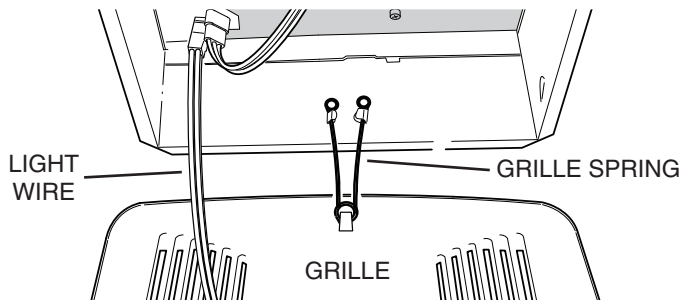
4. Partially install (2) #8-32 x 5/8 screws (included) into threaded holes in speaker bracket - only so ends of screws are flush with bottom surface of speaker bracket. Note: Installing screws below flush will make the next couple of steps difficult.



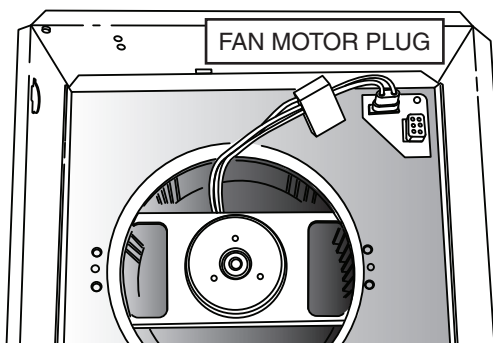
5. Insert speaker into fan housing. Make sure **SPEAKER BRACKET** hooks over edge of **BRACKET OPENING**.
6. Make sure rear surface of speaker is located as close to wall of fan housing as possible.
7. Turn **#8-32 X 5/8\"**
8. Insert **SPEAKER PLUG** into power receptacle where motor plug was disconnected.
9. Connect **FAN MOTOR PLUG** into **SPEAKER WIRE RECEPTACLE**.
10. Plug in **LIGHT WIRE** (if applicable) and re-install grille that were unplugged and removed in Step 2.
11. Turn on power to fan.
12. Go to *Bluetooth*® Speaker Operation section for *Bluetooth*® speaker operating instructions.

INSTALLATION WITH “FLAT” MOTOR BRACKET

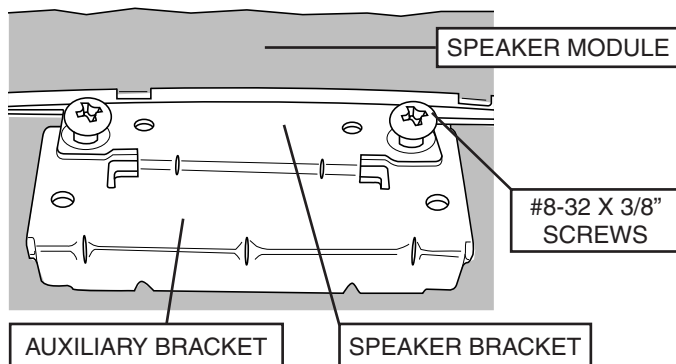
1. **TO REDUCE THE RISK OF FIRE, ELECTRIC SHOCK, OR INJURY TO PERSONS:** Switch power off at service panel and lock the service disconnecting means to prevent power from being switched on accidentally. When the service disconnecting means cannot be locked, securely fasten a prominent warning device, such as a tag, to the service panel.



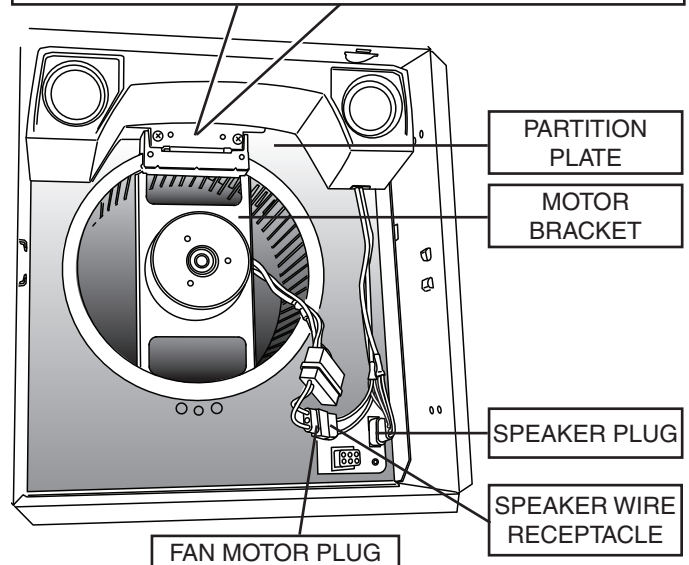
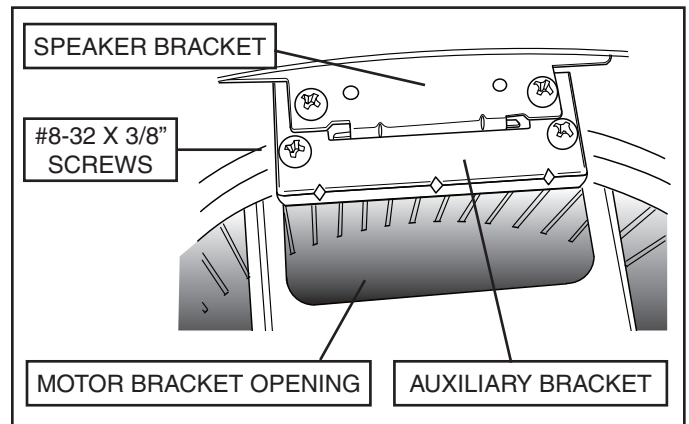
2. Remove fan **GRILLE** by squeezing two **GRILLE SPRINGS** and sliding them out of their mounting slots on each side of the fan housing. Disconnect **LIGHT WIRE** from fan (if fan is equipped with a light). Set grille assembly aside for now.



3. Disconnect **FAN MOTOR PLUG**.



4. Attach **AUXILIARY BRACKET** (loose bracket in parts bag) to **SPEAKER BRACKET** (attached to **SPEAKER MODULE**). Partially install (2) **#8-32 X 3/8” SCREWS** (short screws from parts bag) through larger holes in speaker bracket and into auxiliary bracket - only so ends of screws are flush with bottom surface of auxiliary bracket. Note: Installing screws below flush will make the next steps more difficult.



5. Insert speaker into fan housing. Make sure **AUXILIARY BRACKET** hooks over edge of **BRACKET OPENING**.
6. Make sure rear surface of speaker is located as close to wall of fan housing as possible.
7. Secure **SPEAKER BRACKET** to auxiliary bracket by tightening the **#8-32 X 3/8” SCREWS** (partially installed in Step 4). Alternately tighten both screws. **DO NOT OVERTIGHTEN**.
8. Secure speaker to **MOTOR BRACKET** by installing other two (2) **#8-32 X 3/8” SCREWS** into threaded holes in **AUXILIARY BRACKET**. Turn screws until they make contact with the sheet-metal “bump” in the fan opening of the **PARTITION PLATE**. Alternately tighten both screws. **DO NOT OVERTIGHTEN**.
9. Insert **SPEAKER PLUG** into power receptacle where motor plug was disconnected.
10. Connect **FAN MOTOR PLUG** into **SPEAKER WIRE RECEPTACLE**.
11. Plug in **LIGHT WIRE** (if applicable) and re-install grille that were unplugged and removed in Step 2.
12. Turn on power to fan.
13. Go to “*Bluetooth*® wireless technology **SPEAKER OPERATION**” section for speaker operating instructions.

Bluetooth[®] wireless technology SPEAKER OPERATION

To connect to the Broan-NuTone Bluetooth[®] wireless technology Speaker for the first time:

- To play your personal music or audio files, you need a Bluetooth wireless technology enabled Smart Phone, Tablet, or any other such device.
- Set your device to a low-to-midrange volume before connecting to the speaker.
- Make sure Fan is **ON** and Bluetooth[®] wireless technology enabled device is located within 10 meters (approximately 33 feet) of the Speaker/Fan.
- Pairing your Bluetooth[®] wireless technology enabled device with the Speaker:
 - For iPad/iPhone/iPod touch:**
 - From your iPad/iPhone/iPod touch home page, tap **Settings**.
 - From Settings, tap **General** (if you have iOS 7 or greater, you can skip this step).
 - From General, tap **Bluetooth**.
 - Move the **Bluetooth[®] Slider** to **ON**/green (if it isn't ON already). When you do this, a list of discoverable Bluetooth[®] wireless technology devices will appear.
 - The Broan-NuTone Speaker has the Bluetooth[®] identifier "**Sensonic[™] Vent Fan**". This identifier should be in the list of **Discoverable Devices**. If not, turn the Fan OFF, then ON, then turn Bluetooth[®] OFF, then ON.
 - If "**Sensonic[™] Vent Fan**" is still not on the list, consult with the owner's manual for your device and follow the procedure for Pairing/Connecting a Bluetooth[®] wireless technology device.
 - Tap on "**Sensonic[™] Vent Fan**" to complete the pairing of the Bluetooth[®] wireless technology Speaker with your Apple device.
 - For Android Phone/Tablet:**
 - From your smart phone/tablet home page, tap **Settings**.
 - From the Settings menu, go to **Wireless & Controls, Wireless & Networks**, or something similar.
 - Find **Bluetooth[®], Bluetooth[®] Settings** or something similar and tap **Bluetooth[®]** or move **Bluetooth[®] Slider** to **ON** (if it isn't on already).
 - On the **Bluetooth[®]** screen, tap "**Scan for Devices**", "**Search for Devices**" or something similar.
 - The Broan-NuTone Speaker has the Bluetooth[®] identifier "**Sensonic[™] Vent Fan**". This identifier should show up in the list of **Available Devices**. If not, turn Fan OFF, then ON, and repeat pairing procedure.
 - If "**Sensonic[™] Vent Fan**" is still not on the list, consult with the owner's manual for your Android device and follow the procedure for Pairing/Connecting a Bluetooth[®] device.
 - Tap on "**Sensonic[™] Vent Fan**" to complete the pairing of the Bluetooth[®] wireless technology Speaker with your Android device.
 - For all other Bluetooth[®] wireless technology enabled devices:**
 - Follow the instructions that came with your Bluetooth[®] wireless technology enabled Phone, Tablet or Pad device to set it to search for Bluetooth[®] wireless technology accessories.
 - Most Bluetooth[®] wireless technology enabled devices will require you to go to the "**Paired Devices**" (or similar) screen and SELECT "**Search for Devices**" or something similar.
 - The Broan-NuTone Speaker has the Bluetooth[®] identifier "**Sensonic[™] Vent Fan**". This identifier should show up in the list of **Available Devices, Discoverable Devices** or similar. If not, turn Fan OFF, then ON, and repeat pairing procedure.
- Open up the audio program on your device and play your music or other audio files. The audio file should play over the Bluetooth[®] Fan Speakers.
- When done playing/listening to your audio files, disconnect from the Speaker by either turning OFF the fan, disconnecting Bluetooth[®] wireless technology from your device (Smart Phone, Tablet, etc) or simply walking away. The Bluetooth[®] wireless technology will automatically disconnect when the device is out of range of the Speaker, which should occur when device is approximately 10 meters (33 feet) away from the Speaker.

To connect to the Bluetooth[®] wireless technology Speaker each subsequent time (after initial connection is made):

- The Sensonic[™] Speaker can only play audio files from one Bluetooth[®] wireless technology device at a time, therefore one device must be **DISCONNECTED** (but not necessarily **UNPAIRED**) before using the Speaker with another device.
- If your Bluetooth[®] wireless technology device was **DISCONNECTED** but not **UNPAIRED** from the Speaker last time it was used, then it should automatically connect next time the device is within range of the Speaker, unless the Speaker is already **CONNECTED** to another device.
 - If your device does not **CONNECT** automatically with the Speaker, then find your "**Paired Devices**" or similar list and **TAP** on "**Sensonic Vent Fan**" to reconnect with the Sensonic[™] Speaker.
- If your Bluetooth[®] wireless technology device was **UNPAIRED** from the Speaker after the last time it was used, you must follow the connection procedure in the previous section for **PAIRING** your device with the Speaker.
- Open up the audio program on your device and play your music or other audio files. The audio file should play over the Bluetooth[®] wireless technology Fan Speakers.
- When done playing/listening to your audio files, disconnect from the Speaker by either turning OFF the fan, disconnecting Bluetooth[®] wireless technology from your device (Smart Phone, Tablet, etc) or simply walking away. The Bluetooth[®] wireless technology will automatically disconnect when the device is out of range of the Speaker, which should occur when device is approximately 10 meters (33 feet) away from the Speaker.

WARRANTY

Limited Warranty

Warranty Period and Exclusions: Broan-NuTone LLC (the "Company") warrants to the original consumer purchaser of its product ("you") that the product (the "Product") will be free from material defects in the Product or its workmanship for a period of three (3) years from the date of original purchase.

The limited warranty period for any replacement parts provided by the Company and for any Products repaired or replaced under this limited warranty shall be the remainder of the original warranty period.

This warranty does not cover speed controls, fluorescent lamp starters, tubes, halogen and incandescent bulbs, fuses, filters, ducts, roof caps, wall caps and other accessories for ducting that may be purchased separately and installed with the Product. This warranty also does not cover (a) normal maintenance and service, (b) normal wear and tear, (c) any Products or parts which have been subject to misuse, abuse, abnormal usage, negligence, accident, improper or insufficient maintenance, storage or repair (other than repair by the Company), (d) damage caused by faulty installation, or installation or use contrary to recommendations or instructions, (e) any Product that has been moved from its original point of installation, (f) damage caused by environmental or natural elements, (g) damage in transit, (h) natural wear of finish, (i) Products in commercial or nonresidential use, or (j) damage caused by fire, flood or other act of God. This warranty covers only Products sold to original consumers in the United States by the Company or U.S. distributors authorized by the Company.

This warranty supersedes all prior warranties and is not transferable from the original consumer purchaser.

No Other Warranties: This Limited Warranty contains the Company's sole obligation and your sole remedy for defective products. The foregoing warranties are exclusive and in lieu of any other warranties, express or implied. THE COMPANY DISCLAIMS AND EXCLUDES ALL OTHER EXPRESS WARRANTIES, AND DISCLAIMS AND EXCLUDES ALL WARRANTIES IMPLIED BY LAW, INCLUDING WITHOUT LIMITATION THOSE OF MERCHANTABILITY AND FITNESS FOR A PARTICULAR PURPOSE. To the extent that applicable law prohibits the exclusion of implied warranties, the duration of any applicable implied warranty is limited to the period specified for the express warranty above. Some states do not allow limitations on how long an implied warranty lasts, so the above limitation may not apply to you. Any oral or written description of the Product is for the sole purpose of identifying it and shall not be construed as an express warranty.

Whenever possible, each provision of this Limited Warranty shall be interpreted in such manner as to be effective and valid under applicable law, but if any provision is held to be prohibited or invalid, such provision shall be ineffective only to the extent of such prohibition or invalidity, without invalidating the remainder of such provision or the other remaining provisions of the Limited Warranty.

Remedy: During the applicable limited warranty period, the Company will, at its option, provide replacement parts for, or repair or replace, without charge, any Product or part thereof, to the extent the Company finds it to be covered by and in breach of this limited warranty under normal use and service. The Company will ship the repaired or replaced Product or replacement parts to you at no charge. You are responsible for all costs for removal, reinstallation and shipping, insurance or other freight charges incurred in the shipment of the Product or part to the Company. If you must send the Product or part to the Company, as instructed by the Company, you must properly pack the Product or part—the Company is not responsible for damage in transit. The Company reserves the right to utilize reconditioned, refurbished, repaired or remanufactured Products or parts in the warranty repair or replacement process. Such Products and parts will be comparable in function and performance to an original Product or part and warranted for the remainder of the original warranty period.

Exclusion of Damages: THE COMPANY'S OBLIGATION TO PROVIDE REPLACEMENT PARTS, OR REPAIR OR REPLACE, AT THE COMPANY'S OPTION, SHALL BE YOUR SOLE AND EXCLUSIVE REMEDY UNDER THIS LIMITED WARRANTY AND THE COMPANY'S SOLE AND EXCLUSIVE OBLIGATION. THE COMPANY SHALL NOT BE LIABLE FOR INCIDENTAL, INDIRECT, CONSEQUENTIAL OR SPECIAL DAMAGES ARISING OUT OF OR IN CONNECTION WITH THE PRODUCT, ITS USE OR PERFORMANCE.

Some states do not allow the exclusion or limitation of incidental or consequential damages, so the above limitation or exclusion may not apply to you. This warranty gives you specific legal rights, and you may also have other rights, which vary from state to state.

This warranty covers only replacement or repair of defective Products or parts thereof at the Company's main facility and does not include the cost of field service travel and living expenses.

Any assistance the Company provides to or procures for you outside the terms, limitations or exclusions of this limited warranty will not constitute a waiver of such terms, limitations or exclusions, nor will such assistance extend or revive the warranty.

The Company will not reimburse you for any expenses incurred by you in repairing or replacing any defective Product, except for those incurred with the Company's prior written permission.

How to Obtain Warranty Service: To qualify for warranty service, you must (a) notify the Company at the address or telephone number stated below within seven (7) days of discovering the covered defect, (b) give the model number and part identification and (c) describe the nature of any defect in the Product or part. At the time of requesting warranty service, you must present evidence of the original purchase date. If you cannot provide a copy of the original written limited warranty, then the terms of the Company's most current written limited warranty for your particular product will control. The most current limited written warranties for the Company's products can be found at www.broan.com.

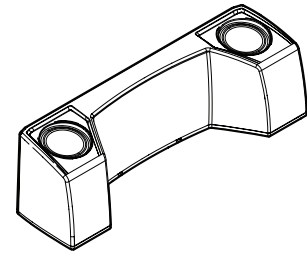
Broan-NuTone LLC 926 West State Street Hartford, WI 53027
www.broan.com 800-637-1453

HAUT-PARLEUR ACCESSOIRE

LIRE CES DIRECTIVES ET LES CONSERVER

Vidéo d'instructions également disponible à www.nutone.com

APPLICATION



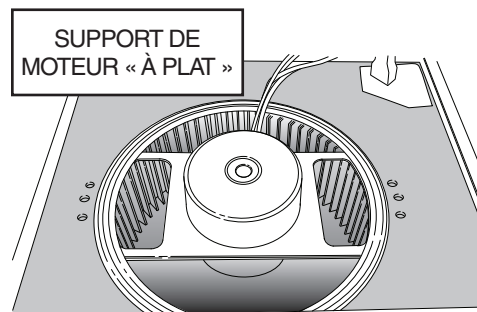
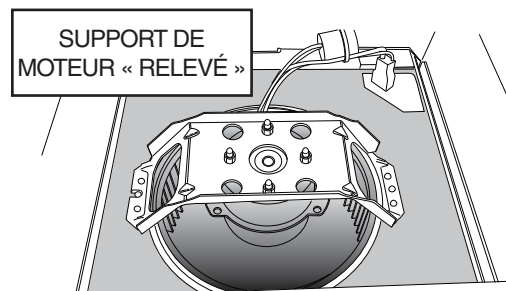
Le SPKACC est un accessoire de haute fidélité, compatible à la technologie sans fil *Bluetooth*® qui fonctionne avec tous les ventilateurs de salle de bain de série QT Broan et NuTone sauf : les ventilateurs à détecteur d'humidité, les ventilateurs munis de chaufferettes et les ventilateurs actionnés par une commande à vitesse variable.

Le SPKACC peut être utilisé avec les modèles indiqués dans ce tableau :

MODÈLES BROAN	MODÈLES NUTONE	MODÈLES BROAN CANADA	MODÈLES NUTONE CANADA
QT110E	QTN110E	QTR090C	QTN130EC *
QT130E *	QTN110LE	QTR090LC	QTRN090C
QT130LE *	QTN130E *	QTR090RC	QTRN110C
QT140LE *	QTN130LE	QTR100C	QTRN110LC
QT140E *	QTN80E	QTR110C	QTRN130EC *
QTR080	QTN80L	QTR110LC	QTREN070C
QTR080L	QTREN080	QTR110RC	QTREN070FLC
QTR110	QTREN080FLT	QTRE050RF	QTREN080C
QTR110L	QTREN110	QTRE070C	QTREN090C
QT110LE	QTREN110FLT	QTRE070FLC	QTREN090FLC
QTR140	QTRN080	QTRE075C	QTREN110C
QTR140L	QTRN080L	QTRE080C	QTREN110FLC
QTRE080	QTRN110	QTRE080C2S	QTXEN050C
QTRE080FLT	QTRN110L	QTRE090C	QTXEN080C
QTRE080R	QTN130LE1 *	QTRE090FLC	QTXEN090C
QTRE110	QTXEN050	QTRE110C	QTXEN110C
QTRE110FLT	QTXEN080	QTRE110RC	QTXEN150C *
QTRE110FLFT	QTXEN080FLT	QTRE110RF	
QTXE050	QTXEN110	QTRE110FLC	
QTXE080	QTXEN110FLT	QTXE050C	
QTXE080FLT	QTXEN150 *	QTXE080C	
QTXE110	QTXEN150FLT *	QTXE090C	
QTXE110FLT	QTREN080F	QTXE110C	
QTXE150 *	QTREN080FLFT	QTXE150C *	
QTXE150FLT *	QTREN110F	FQTR110C	
QTR050F	QTREN110FLFT	FQTRE050C	
QTR080F	QTRN050F	FQTRE070C	
QTR110F	QTRN080F	FQTRE080C	
QTRE080F	QTRN110F	FQTRE110C	
QTRE080FLFT	QTXRN000HF	FQTRE110MG	
QTRE110F	QTXRN000HL	FQTXE050C	
QT80E		FQTXE110C	
QT80L			
QT90E			
QT90L			
SSQTXE080			
SSQTXE110			

* Le haut-parleur accessoire SPKACC CONVIENDRA UNIQUEMENT aux modèles fabriqués **avant** octobre 2015. Ces modèles comportent l'un des deux types de support métallique de moteur illustrés dans le manuel d'installation du SPKACC.

Le haut-parleur accessoire SPKACC NE CONVIENDRA PAS aux modèles fabriqués **après** octobre 2015. Chez ces modèles, le moteur est entouré d'un boîtier circulaire noir en plastique.



Déterminez le type de **SUPPORT DE MOTEUR** utilisé dans votre ventilateur.

Le nom de marque *Bluetooth*® ainsi que les logos sont des marques déposées appartenant à *Bluetooth*® SIG, Inc. et sont utilisés sous licence par Broan-NuTone LLC. Tous les autres noms et marques de commerce appartiennent à leurs propriétaires respectifs.

REMARQUE : Cet équipement a été testé et constaté conforme aux limites des appareils numériques de Classe B, en vertu de la section 15 des Règlements de la FCC. Ces limites visent à offrir une protection raisonnable contre les interférences indésirables dans une installation résidentielle. Cet équipement génère, utilise et peut émettre des radiofréquences et, s'il n'est pas installé et utilisé conformément aux instructions, peut produire des interférences indésirables pour les radiocommunications. Il n'y a toutefois aucune garantie que des interférences ne se produiront pas dans une installation particulière. Si cet équipement produit des interférences qui nuisent à une réception radio ou télévisuelle, ce qui peut être déterminé en éteignant et en allumant l'appareil, l'utilisateur est invité à corriger la situation par l'un ou l'autre des moyens suivants :

- Réorienter ou déplacer l'antenne réceptrice.
- Éloigner l'équipement du récepteur.
- Brancher l'équipement dans une autre prise de courant sur un circuit différent de celui du récepteur.
- Consulter le détaillant ou un technicien spécialisé en radio / télévision.

Cet appareil est conforme aux normes énoncées à la section 15 des règlements de la FCC et RSS-210 du Canada. Son fonctionnement est assujéti aux conditions suivantes :

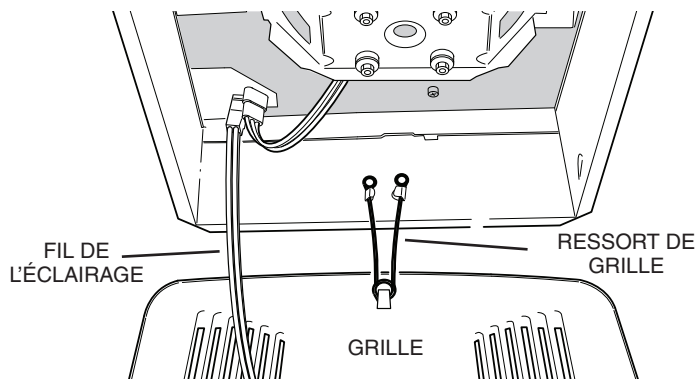
- (1) l'appareil ne doit pas provoquer d'interférences, et (2) il doit tolérer les interférences reçues, notamment celles susceptibles de provoquer un fonctionnement non souhaité. Identification FCC : 2ADLL-99528551 IC : 2143B-99528551

Ce haut-parleur compatible à la technologie sans fil *Bluetooth*® est conforme aux limites d'exposition de la FCC sur les rayonnements telles qu'établies dans un environnement non contrôlé. L'utilisateur doit suivre les directives d'utilisation pour respecter les limites d'exposition. Ce haut-parleur ne doit pas être relocalisé ni utilisé avec une autre antenne ou un autre émetteur.

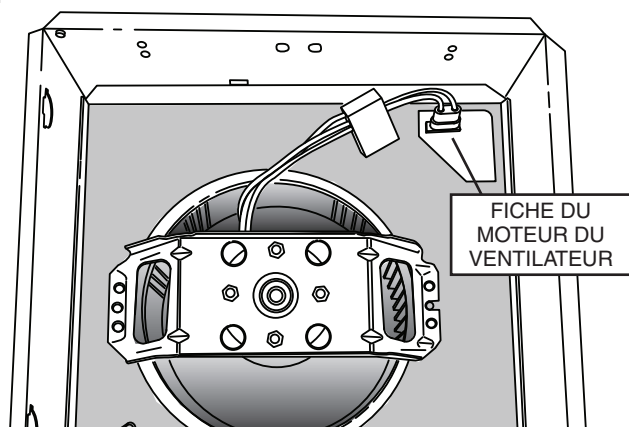
Tout changement ou modification non expressément approuvé par la partie chargée du respect de la réglementation pourrait annuler le droit de l'utilisateur de se servir de l'équipement.

INSTALLATION AVEC SUPPORT DE MOTEUR « RELEVÉ »

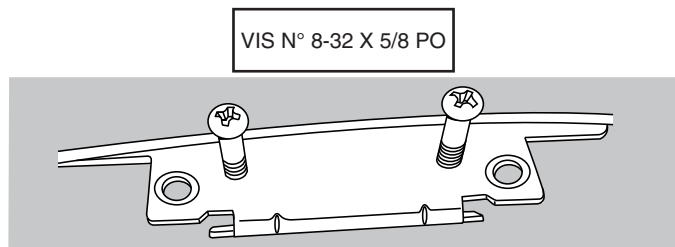
1. **AFIN DE DIMINUER LES RISQUES D'INCENDIE, D'ÉLECTROCUTION OU DE BLESSURES :** Coupez l'alimentation du panneau électrique et verrouillez l'interrupteur principal afin d'empêcher que le courant ne soit rétabli accidentellement. S'il est impossible de verrouiller l'interrupteur principal, fixez solidement un message d'avertissement, par exemple une étiquette, sur le panneau électrique.



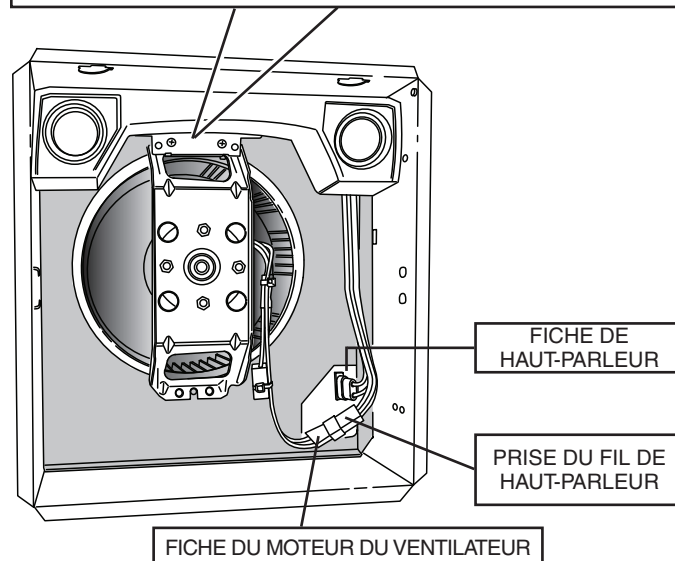
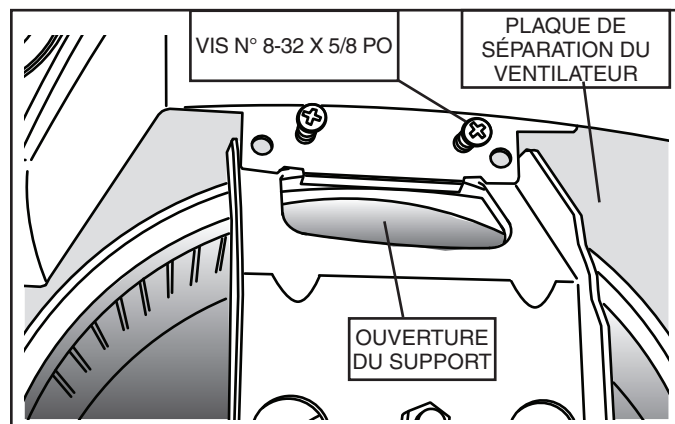
2. Enlevez la **GRILLE** du ventilateur en pinçant les deux **RESSORTS DE GRILLE** et en les glissant hors de leurs rainures de chaque côté du boîtier du ventilateur. Débranchez le **FIL DE L'ÉCLAIRAGE** du ventilateur (si le ventilateur comporte une lumière). Mettez l'ensemble de grille de côté pour le moment.



3. Débranchez la **FICHE DU MOTEUR DU VENTILATEUR**.



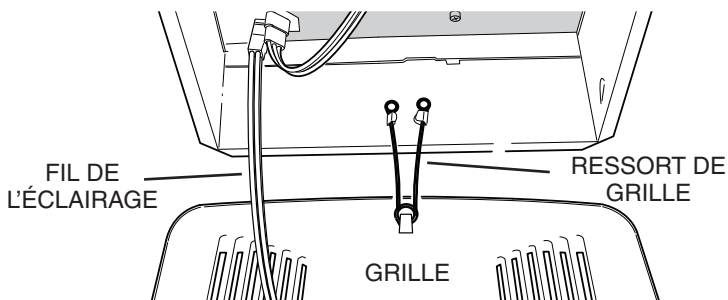
4. Installez partiellement deux (2) vis n° 8-32 x 5/8 (incluses) dans les trous filetés du support de haut-parleur de sorte que l'extrémité des vis soit au ras de la surface inférieure du support de haut-parleur. Remarque : Si les vis n'affleurent pas la surface, les prochaines étapes risquent d'être plus difficiles.



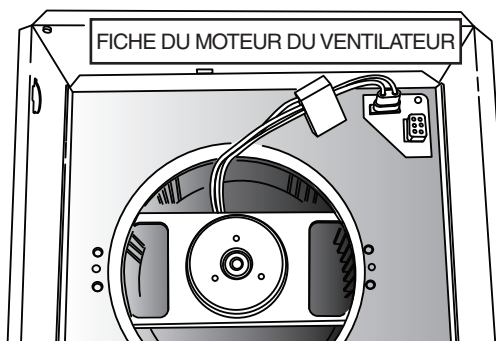
5. Insérez le haut-parleur dans le boîtier du ventilateur. Assurez-vous que le **SUPPORT DE HAUT-PARLEUR** s'accroche au bord de **L'OUVERTURE DU SUPPORT**.
6. Assurez-vous que la surface arrière du haut-parleur est située le plus près possible de la paroi du boîtier du ventilateur.
7. Tournez les **VIS N° 8-32 X 5/8 PO** (installées partiellement à l'étape 3) jusqu'à ce qu'elles touchent à la **PLAQUE DE SÉPARATION DU VENTILATEUR**. Serrez alternativement les deux vis. **NE LES SERREZ PAS TROP**.
8. Insérez la **FICHE DE HAUT-PARLEUR** dans la prise où la fiche du moteur était branchée.
9. Rebranchez la **FICHE DU MOTEUR DU VENTILATEUR** dans la **PRISE DU FIL DE HAUT-PARLEUR**.
10. Branchez le **FIL DE L'ÉCLAIRAGE** (s'il y a lieu) et reposez la grille que vous avez débranchée et enlevée à l'étape 2.
11. Rétablissez l'alimentation du ventilateur.
12. Reportez-vous à la section Fonctionnement du Haut-parleur *Bluetooth*® pour les directives d'utilisation.

INSTALLATION AVEC SUPPORT DE MOTEUR « À PLAT » »

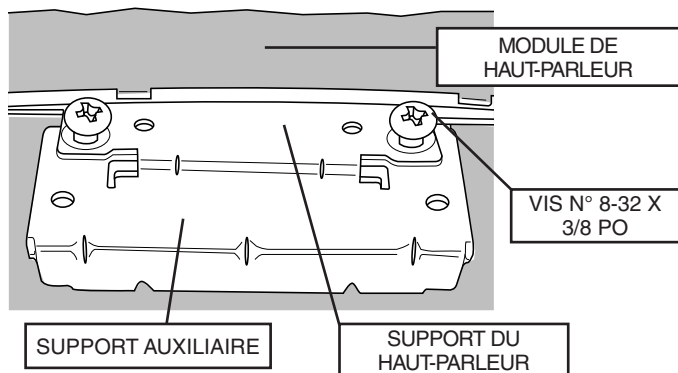
1. **AFIN DE DIMINUER LES RISQUES D'INCENDIE, D'ÉLECTROCUTION OU DE BLESSURES** : Coupez l'alimentation du panneau électrique et verrouillez l'interrupteur principal afin d'empêcher que le courant ne soit rétabli accidentellement. S'il est impossible de verrouiller l'interrupteur principal, fixez solidement un message d'avertissement, par exemple une étiquette, sur le panneau électrique.



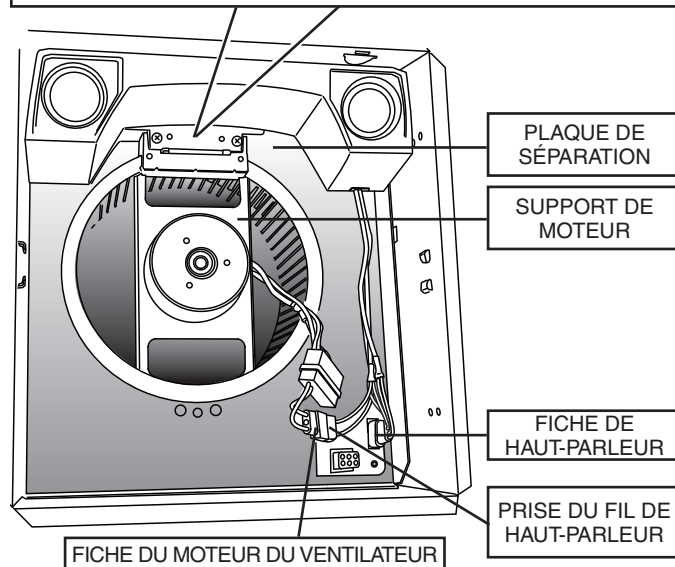
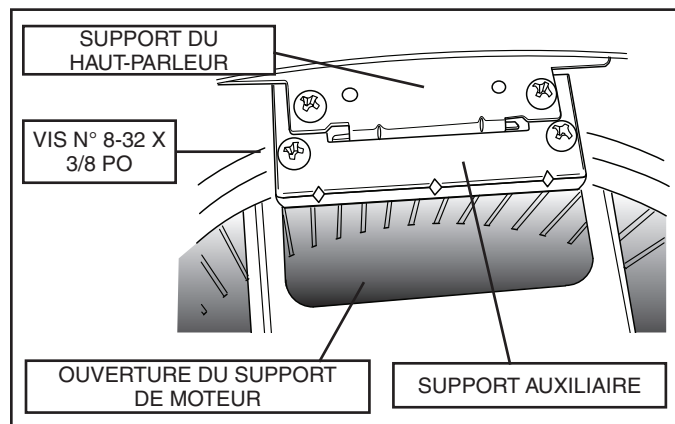
2. Enlevez la **GRILLE** du ventilateur en pinçant les deux **RESSORTS DE GRILLE** et en les glissant hors de leurs rainures de chaque côté du boîtier du ventilateur. Débranchez le **FIL DE L'ÉCLAIRAGE** du ventilateur (si le ventilateur comporte une lumière). Mettez l'ensemble de grille de côté pour le moment.



3. Débranchez la **FICHE DU MOTEUR DU VENTILATEUR**.



4. Fixez le **SUPPORT AUXILIAIRE** (support détaché dans le sachet de pièces) sur le **SUPPORT DE HAUT-PARLEUR** (fixé au **MODULE DE HAUT-PARLEUR**). Installez partiellement deux (2) **VIS N°8-32 X 3/8 PO** (petites vis du sachet de pièces) dans les grands trous du support de haut-parleur et dans le support auxiliaire de sorte que l'extrémité des vis soit au ras de la surface inférieure du support auxiliaire. Remarque : Si les vis n'affleurent pas la surface, les prochaines étapes risquent d'être plus difficiles.



5. Insérez le haut-parleur dans le boîtier du ventilateur. Assurez-vous que le **SUPPORT AUXILIAIRE** s'accroche au bord de l'**OUVERTURE DU SUPPORT**.
6. Assurez-vous que la surface arrière du haut-parleur est située le plus près possible de la paroi du boîtier du ventilateur.
7. Fixez le **SUPPORT DE HAUT-PARLEUR** sur le support auxiliaire en serrant les **VIS N°8-32 X 3/8 PO** (partiellement installées à l'étape 4). Serrez alternativement les deux vis. **NE LES SERREZ PAS TROP**.
8. Fixez le haut-parleur au **SUPPORT DE MOTEUR** en installant deux (2) **VIS N°8-32 X 3/8 PO** dans les trous filetés du **SUPPORT AUXILIAIRE**. Tournez les vis jusqu'à ce qu'elles touchent aux « bosses » de la tôle dans l'ouverture du ventilateur de la **PLAQUE DE SÉPARATION**. Serrez alternativement les deux vis. **NE LES SERREZ PAS TROP**.
9. Insérez la **FICHE DU HAUT-PARLEUR** dans la prise de courant dans laquelle le moteur était branché.
10. Branchez la **FICHE DU MOTEUR DU VENTILATEUR** dans la **PRISE DU FIL DE HAUT-PARLEUR**.
11. Branchez le **FIL DE L'ÉCLAIRAGE** (s'il y a lieu) et reposez la grille que vous avez débranchée et enlevée à l'étape 2.
12. Rétablissez l'alimentation du ventilateur.
13. Reportez-vous à la section « **FONCTIONNEMENT DU HAUT-PARLEUR Bluetooth®** à technologie sans fil » pour les directives d'utilisation.

Technologie sans fil Bluetooth[®] FONCTIONNEMENT DU HAUT-PARLEUR

GARANTIE

Pour vous connecter la première fois au haut-parleur Broan-NuTone à technologie sans fil Bluetooth[®]:

- Pour faire jouer votre musique personnelle ou vos fichiers audio, vous avez besoin d'un téléphone intelligent, d'une tablette ou d'un autre appareil compatible à la technologie sans fil Bluetooth.
 - Réglez votre appareil à un volume moyennement bas avant de vous connecter au haut-parleur.
 - Assurez-vous que le ventilateur est en **MARCHE** et que l'appareil compatible à la technologie sans fil Bluetooth[®] est situé à moins de 10 mètres (environ 33 pieds) du haut-parleur/ventilateur.
 - Pour jumeler votre appareil compatible à la technologie sans fil Bluetooth[®] avec le haut-parleur :
 - Pour un iPad/iPhone/iPod touch :**
 - À partir de la page d'accueil de votre iPad/iPhone/iPod touch, tapez sur **Settings** (Réglages).
 - Dans les Réglages, tapez sur **General** (Généralités) (si vous avez iOS 7 ou une version ultérieure, vous pouvez sauter cette étape).
 - Dans Généralités, tapez sur **Bluetooth**.
 - Placez le bouton à **glissière Bluetooth** sur **ON** (MARCHE)/vert (s'il n'est pas déjà sur MARCHE). Une liste des appareils à technologie sans fil Bluetooth[®] décelables apparaît.
 - Le haut-parleur Broan-NuTone possède l'identifiant Bluetooth[®] « **Sensonic™ Vent Fan** ». Cet identifiant devrait figurer dans la liste des **Discoverable Devices** (Appareils décelables). Sinon, ARRÊTEZ le ventilateur et remettez-le en MARCHE, puis mettez Bluetooth[®] sur ARRÊT, puis sur MARCHE.
 - Si l'identifiant « Sensonic™ Vent Fan » ne figure pas dans la liste, consultez le manuel d'utilisation de votre appareil et suivez la procédure de jumelage/connexion de l'appareil à technologie sans fil Bluetooth[®].
 - Tapez sur « **Sensonic™ Vent Fan** » pour achever le jumelage du haut-parleur à technologie sans fil Bluetooth[®] avec votre appareil Apple.
 - Pour un téléphone/tablette Android :**
 - À partir de la page d'accueil de votre téléphone intelligent ou tablette, tapez sur **Settings** (Réglages).
 - Dans le menu Réglages, allez à **Wireless & Controls, Wireless & Networks** (Sans fil et commandes, Sans fil et réseaux) ou une option semblable.
 - Recherchez **Bluetooth**, **Réglages Bluetooth** ou une option semblable et tapez sur Bluetooth[®] ou placez le bouton à **glissière Bluetooth** sur **ON** (MARCHE) (s'il ne l'est pas déjà).
 - Dans l'écran Bluetooth[®], tapez sur « **Scan for Devices** » (Balayage des appareils), « **Search for Devices** » (Recherche d'appareils) ou une option semblable.
 - Le haut-parleur Broan-NuTone possède l'identifiant Bluetooth[®] « **Sensonic™ Vent Fan** ». Cet identifiant devrait apparaître dans la liste des **Available Devices** (Appareils disponibles). Sinon, ARRÊTEZ le ventilateur et remettez-le en MARCHE, puis reprenez la procédure de jumelage.
 - Si « **Sensonic™ Vent Fan** » ne figure toujours pas dans la liste, consultez le manuel d'utilisation de votre appareil Android et suivez la procédure de jumelage/connexion d'un appareil Bluetooth[®].
 - Tapez sur « **Sensonic™ Vent Fan** » pour achever le jumelage du haut-parleur à technologie sans fil Bluetooth[®] avec votre appareil Android.
 - Pour tous les autres appareils compatibles à la technologie sans fil Bluetooth[®] :**
 - Suivez les instructions qui accompagnent votre téléphone intelligent, tablette ou autre appareil compatible à la technologie sans fil Bluetooth[®] et réglez-le pour qu'il recherche les accessoires à technologie sans fil Bluetooth[®].
 - La plupart des appareils compatibles à la technologie sans fil Bluetooth[®] exigeront que vous alliez à l'écran des « **Paired Devices** » (Appareils jumelés) (ou tout écran semblable) et que vous SÉLECTIONNIEZ « **Search for Devices** » (Rechercher les appareils) ou une option semblable.
 - Le haut-parleur Broan-NuTone possède l'identifiant Bluetooth[®] « **Sensonic™ Vent Fan** ». Cet identifiant devrait apparaître dans la liste des **Available Devices, Discoverable Devices** (Appareils disponibles, Appareils décelables) ou toute liste semblable. Sinon, ARRÊTEZ le ventilateur et remettez-le en MARCHE, puis reprenez la procédure de jumelage.
- Ouvrez le programme audio sur votre appareil et faites jouer votre musique ou autres fichiers audio. Le fichier audio devrait jouer dans les haut-parleurs du ventilateur Bluetooth[®].
- Une fois terminée l'écoute de vos fichiers audio, déconnectez-vous du haut-parleur soit en ARRÊTANT le ventilateur, en mettant fin à la connexion de votre appareil (téléphone intelligent, tablette, etc.) compatible à la technologie sans fil Bluetooth[®] ou simplement en vous éloignant. La technologie sans fil Bluetooth[®] se déconnecte automatiquement lorsque l'appareil est hors de la portée du haut-parleur, soit à environ 10 mètres (33 pieds) de distance.

Pour vous connecter les prochaines fois au haut-parleur à technologie sans fil Bluetooth[®]

(après qu'une connexion initiale ait été établie) :

- Le haut-parleur Sensonic™ ne peut jouer que les fichiers audio d'un seul appareil à technologie sans fil Bluetooth[®] à la fois, et donc l'appareil doit être **DÉCONNECTÉ** (mais pas nécessairement **DÉJUMELÉ**) avant d'utiliser le haut-parleur avec un autre appareil.
- Si votre appareil à technologie sans fil Bluetooth[®] a été **DÉCONNECTÉ** mais non **DÉJUMELÉ** du haut-parleur la dernière fois qu'il a été utilisé, il devrait se reconnecter automatiquement la prochaine fois que votre appareil revient à la portée du haut-parleur, à moins que le haut-parleur soit déjà **CONNECTÉ** à un autre appareil.
 - Si votre appareil ne se **CONNECTE** pas automatiquement avec le haut-parleur, recherchez votre liste d'« Appareils jumelés » ou toute liste semblable et **TAPEZ** sur « **Sensonic Vent Fan** » pour vous reconnecter avec le haut-parleur Sensonic™.
- Si votre appareil à technologie sans fil Bluetooth[®] a été **DÉJUMELÉ** du haut-parleur depuis sa dernière utilisation, vous devez suivre la procédure de connexion de la section précédente pour effectuer le **JUMELAGE** de votre appareil avec le haut-parleur.
- Ouvrez le programme audio de votre appareil et faites jouer votre musique ou d'autres fichiers audio. Le fichier audio devrait jouer sur le ventilateur à haut-parleurs à technologie sans fil Bluetooth[®].
- Une fois terminée l'écoute de vos fichiers audio, déconnectez-vous du haut-parleur soit en ARRÊTANT le ventilateur, en mettant fin à la connexion de votre appareil (téléphone intelligent, tablette, etc.) compatible à la technologie sans fil Bluetooth[®] ou simplement en vous éloignant. La technologie sans fil Bluetooth[®] se déconnecte automatiquement lorsque l'appareil est hors de la portée du haut-parleur, soit à environ 10 mètres (33 pieds) de distance.

Garantie limitée

Période de garantie et exclusions : Broan-NuTone LLC (la « Société ») garantit au consommateur acheteur initial (« vous ») de son produit (le « Produit ») que celui-ci est exempt de tout vice de matériau ou de fabrication pour une période de trois (3) ans à compter de la date d'achat originale.

La période de la garantie limitée sur toute pièce de remplacement fournie par la Société et sur tout produit réparé ou remplacé en vertu de la présente garantie limitée correspond au reste de la période de garantie originale.

La présente garantie ne s'applique pas aux commandes de vitesse, tubes fluorescents et aux démarreurs, ni aux ampoules halogènes ou incandescentes, fusibles, filtres, conduits, capuchons de toit, capuchons muraux et autres accessoires pour conduits pouvant avoir été achetés séparément et installés avec le produit. La présente garantie ne couvre pas (a) les travaux d'entretien et de service normaux, (b) l'usure normale, (c) tout produit ou toute pièce ayant fait l'objet d'une mauvaise utilisation, d'un abus, d'un usage anormal, d'une négligence, d'un accident, d'un entretien, d'un rangement ou d'une réparation inadéquats ou insuffisants (autre que par la Société), (d) les dommages dus à une mauvaise installation, ou à une installation ou utilisation contraires aux recommandations ou instructions, (e) tout produit déplacé de son lieu d'installation original, (f) les dommages dus à des éléments environnementaux ou naturels, (g) les dommages dus au transport, (h) l'usure naturelle du fini, (i) les produits utilisés à des fins commerciales ou non-résidentielles ou (j) les dommages dus à un incendie, à une inondation ou à un événement fortuit. Cette garantie ne couvre que les produits vendus au consommateur initial aux États-Unis par la Société ou par les distributeurs américains autorisés par la Société.

La présente garantie remplace toute garantie précédente et le consommateur et acheteur initial ne peut la céder à quiconque.

Aucune autre garantie : Cette garantie limitée stipule les seules obligations de la Société et votre seul recours en cas de produits défectueux. La garantie ci-dessus est exclusive et remplace toute autre garantie, expresse ou tacite. LA SOCIÉTÉ EXCLUT TOUTE AUTRE GARANTIE EXPRESSE ET TOUTE GARANTIE DÉCOULANT IMPLICITEMENT DE LA LOI, Y COMPRIS, SANS S'Y LIMITER, LES GARANTIES DE VALEUR MARCHANDE ET D'ÉQUATION À UN USAGE PARTICULIER. Dans la mesure où la loi en vigueur interdit l'exclusion des garanties tacites, la durée de toute garantie tacite est limitée à la période stipulée ci-dessus pour la garantie expresse. Certaines juridictions interdisant de limiter la durée d'une garantie tacite, la limitation ci-dessus peut ne pas s'appliquer à votre situation. Toute description verbale ou écrite du produit a pour seule fin de l'identifier et ne doit pas être interprétée comme une garantie expresse.

Si possible, chaque disposition de cette garantie limitée doit être interprétée de sorte à être en vigueur et valide en vertu des lois applicables, mais si une disposition s'avère interdite ou invalide, elle le sera seulement dans la mesure de cette interdiction ou invalidité, sans invalider le reste de cette disposition ni les autres dispositions de la présente garantie limitée.

Recours : Pendant la période de garantie limitée applicable, la Société pourra, à son choix, fournir des pièces de rechange ou réparer ou remplacer, sans frais, tout produit ou toute pièce, dans la mesure où la Société constate qu'il est couvert et contrevient à la présente garantie limitée dans des conditions normales d'utilisation et de service. La Société vous enverra gratuitement le produit réparé ou remplacé ou les pièces de rechange. Vous êtes responsable des frais de démontage, de remontage, d'expédition, d'assurance ou de tous autres frais de transport pour l'envoi du produit ou de la pièce à la Société. Si vous devez envoyer le produit ou la pièce à la Société, tel que la Société vous l'indiquera, vous devrez l'emballer correctement – la Société n'est pas responsable des dommages subis lors du transport. La Société se réserve le droit d'utiliser des produits ou des pièces remis en état, remis à neuf, réparés ou réusinés dans le processus de réparation ou de remplacement sous garantie. Lesdits produits ou pièces seront comparables en fonction et en performance aux produits et pièces d'origine et seront garantis pendant le reste de la période de garantie originale.

Exclusion de dommages : L'OBLIGATION DE LA SOCIÉTÉ DE FOURNIR DES PIÈCES DE RECHANGE, OU DE RÉPARER OU REMPLACER LE PRODUIT, À SON CHOIX, CONSTITUE VOTRE SEUL ET UNIQUE RECOURS EN VERTU DE LA PRÉSENTE GARANTIE LIMITÉE ET LA SEULE ET UNIQUE OBLIGATION DE LA SOCIÉTÉ. LA SOCIÉTÉ NE PEUT ÊTRE TENUE RESPONSABLE DE TOUT DOMMAGE INDIRECT, CONSÉCUTIF, ACCESSOIRE OU SPÉCIAL DÉCOULANT DE L'UTILISATION OU DU RENDEMENT DU PRODUIT.

Certains territoires ou provinces ne permettant pas la limitation ou l'exclusion des dommages indirects ou consécutifs, la limitation ci-dessus peut ne pas s'appliquer à votre situation. La présente garantie vous confère des droits spécifiques reconnus par la loi. D'autres droits pourraient également vous être accordés selon la législation locale en vigueur.

Cette garantie ne couvre que le remplacement ou la réparation des produits ou pièces défectueux à l'usine principale de la Société et ne comprend pas les frais de voyage et ni les dépenses quotidiennes pour une réparation à domicile.

Toute aide que la Société vous fournit en dehors des dispositions, limitations ou exclusions de cette garantie limitée ne constituera en rien une renonciation auxdites dispositions, limitations ou exclusions, et ne prolongera aucunement cette garantie pas plus qu'elle ne la remettra en vigueur.

La Société ne vous remboursera aucune dépense encourue par vous pour la réparation ou le remplacement de tout produit défectueux, sauf celles que vous avez encourues avec la permission écrite préalable de la Société.

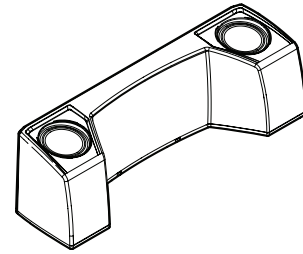
Comment bénéficier du service de garantie : Pour vous prévaloir de cette garantie, vous devez (a) aviser la Société à l'adresse ou au numéro de téléphone indiqués ci-dessous dans les sept (7) jours du constat de la défectuosité couverte, (b) donner le numéro de modèle du produit et le numéro d'identification de la pièce et (c) décrire la nature de la défectuosité du produit ou de la pièce. Lors de votre demande de garantie, vous devez présenter une preuve de la date d'achat originale. Si vous ne pouvez pas fournir une copie écrite de la garantie limitée originale, les dispositions de la garantie limitée écrite la plus récente de la Société concernant ce produit particulier s'appliqueront. Vous trouverez les garanties limitées écrites les plus récentes des produits de la Société sur le site www.broan.com.

Broan-NuTone LLC 926 West State Street Hartford, WI 53027 États-Unis
www.broan.com 800-637-1453

ALTAVOZ DE ACCESORIO

LEA Y CONSERVE ESTAS INSTRUCCIONES

También encontrará instrucciones en video en www.nutone.com



APLICACIÓN

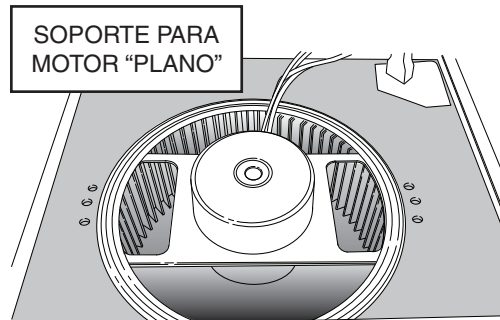
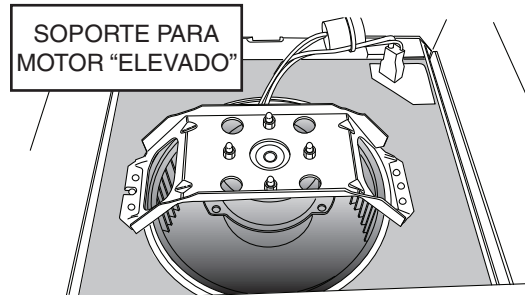
El SPKACC es un accesorio de alta fidelidad habilitado con tecnología inalámbrica *Bluetooth*® que funciona con todos los ventiladores para baño Broan y NuTone serie QT, excepto: ventiladores con detección de humedad, ventiladores equipados con calentadores y ventiladores accionados por controles de velocidad variable.

El SPKACC puede utilizarse solamente con los modelos mostrados en este cuadro:

MODELOS DE BROAN	MODELOS DE NUTONE	MODELOS DE BROAN CANADA	MODELOS DE NUTONE CANADA
QT110E	QTN110E	QTR090C	QTN130EC *
QT130E *	QTN110LE	QTR090LC	QTRN090C
QT130LE *	QTN130E *	QTR090RC	QTRN110C
QT140LE *	QTN130LE	QTR100C	QTRN110LC
QT140E *	QTN80E	QTR110C	QTRN130EC *
QTR080	QTN80L	QTR110LC	QTREN070C
QTR080L	QTREN080	QTR110RC	QTREN070FLC
QTR110	QTREN080FLT	QTRE050RF	QTREN080C
QTR110L	QTREN110	QTRE070C	QTREN090C
QT110LE	QTREN110FLT	QTRE070FLC	QTREN090FLC
QTR140	QTRN080	QTRE075C	QTREN110C
QTR140L	QTRN080L	QTRE080C	QTREN110FLC
QTRE080	QTRN110	QTRE080C2S	QTXEN050C
QTRE080FLT	QTRN110L	QTRE090C	QTXEN080C
QTRE080R	QTN130LE1 *	QTRE090FLC	QTXEN090C
QTRE110	QTXEN050	QTRE110C	QTXEN110C
QTRE110FLT	QTXEN080	QTRE110RC	QTXEN150C *
QTRE110FLFT	QTXEN080FLT	QTRE110RF	
QTXE050	QTXEN110	QTRE110FLC	
QTXE080	QTXEN110FLT	QTXE050C	
QTXE080FLT	QTXEN150 *	QTXE080C	
QTXE110	QTXEN150FLT *	QTXE090C	
QTXE110FLT	QTREN080F	QTXE110C	
QTXE150 *	QTREN080FLFT	QTXE150C *	
QTXE150FLT *	QTREN110F	FQTR110C	
QTR050F	QTREN110FLFT	FQTRE050C	
QTR080F	QTRN050F	FQTRE070C	
QTR110F	QTRN080F	FQTRE080C	
QTRE080F	QTRN110F	FQTRE110C	
QTRE080FLFT	QTXRN000HF	FQTRE110MG	
QTRE110F	QTXRN000HL	FQTXE050C	
QT80E		FQTXE110C	
QT80L			
QT90E			
QT90L			
SSQTXE080			
SSQTXE110			

* El accesorio SPKACC SOLO CABRÁ en estos modelos si fueron fabricados **antes** de octubre de 2015. Estos modelos tienen uno de dos estilos de soporte para motor de metal, como se muestra en el manual de instalación de SP-KACC.

El accesorio SPKACC NO CABRÁ en estos modelos si fueron fabricados **después** de octubre de 2015. Estos modelos tienen el motor rodeado por una cubierta/carcasa redonda de plástico negro.



Determine cuál es el **SOPORTE PARA MOTOR** que se utiliza en su ventilador.

La marca y los logotipos de la palabra *Bluetooth*® son marcas comerciales registradas propiedad de *Bluetooth*® SIG, Inc. y todo uso de dichas marcas por parte de Broan-NuTone LLC se realiza bajo licencia. Otras marcas comerciales y nombres comerciales son de sus propietarios respectivos.

NOTA: Este equipo ha sido probado y se encontró que cumple con los límites de un dispositivo digital Clase B, de conformidad con la Parte 15 de las Reglas de la FCC. Estos límites están diseñados para brindar una protección razonable contra las interferencias nocivas en una instalación residencial. Este equipo genera, utiliza y puede irradiar energía de radiofrecuencia, y si no se instala y utiliza de acuerdo con las instrucciones, podría causar interferencia nociva a las comunicaciones por radio. No obstante, no hay garantía de que no se generará interferencia en una instalación particular. Si el equipo provoca interferencia nociva en la recepción de señales de radio o de televisión, lo cual se puede determinar apagando y encendiendo el equipo, se exhorta al usuario para que trate de corregir la interferencia mediante una o más de las siguientes medidas:

- Reorientar o reubicar la antena de recepción.
- Aumentar la separación entre el equipo y el receptor.
- Conectar el equipo en un tomacorriente en un circuito diferente a aquel donde esté conectado el receptor.
- Pedir ayuda al distribuidor o a un técnico experimentado en radio y TV.

Este dispositivo cumple con la Parte 15 de las reglas de la FCC y RSS-210 de Canadá. La operación está sujeta a las dos condiciones siguientes:

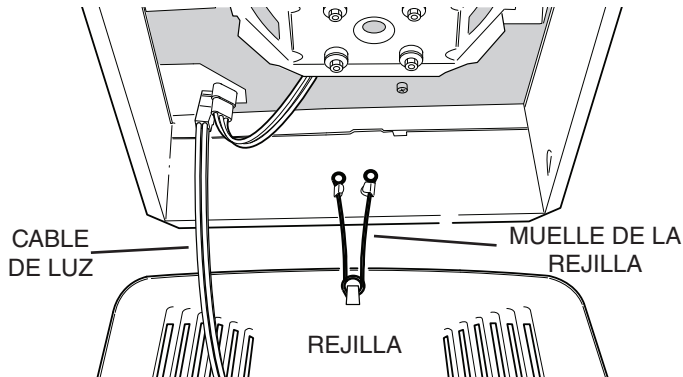
(1) Este dispositivo no puede ocasionar interferencia, y (2) este dispositivo debe aceptar cualquier interferencia recibida, incluida la interferencia que pueda provocar un funcionamiento no deseado. ID de la FCC: 2ADLL-99528551 IC: 2143B-99528551

Este altavoz habilitado con tecnología inalámbrica *Bluetooth*® cumple con los límites de exposición a la radiación de la FCC establecidos para un ambiente no controlado. Los usuarios finales deben seguir las instrucciones de operación específicas para cumplir con los requisitos de exposición. Este altavoz no debe colocarse ni operarse en conjunto con cualquier otra antena o transmisor.

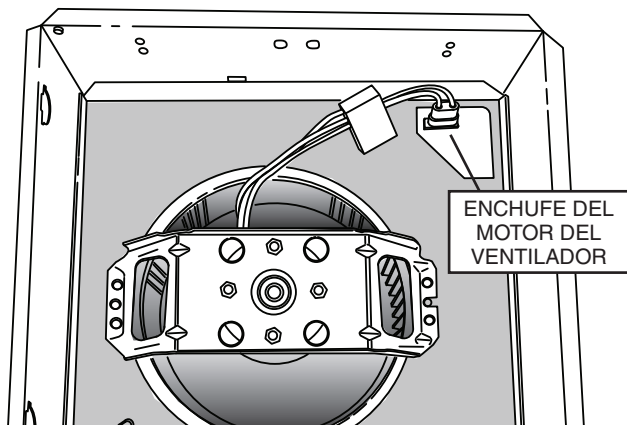
Los cambios o modificaciones no aprobados expresamente por la parte responsable del cumplimiento podrían anular la autoridad del usuario para operar el equipo.

INSTALACIÓN CON EL SOPORTE PARA MOTOR “ELEVADO”

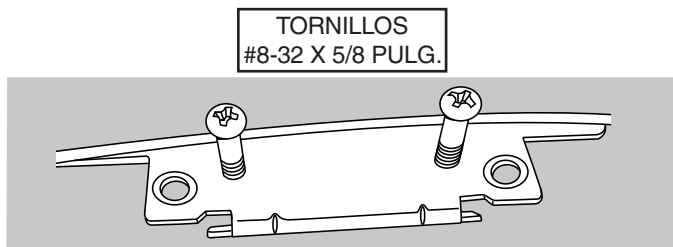
1. **PARA REDUCIR EL RIESGO DE INCENDIOS, DESCARGAS ELÉCTRICAS O LESIONES PERSONALES:** Interrumpa el suministro eléctrico en el panel de servicio y bloquee los medios de desconexión del servicio para evitar que la electricidad se reanude accidentalmente. Cuando no sea posible bloquear los medios de desconexión del servicio, fije firmemente una señal de advertencia (como una etiqueta) en un lugar visible del panel de servicio.



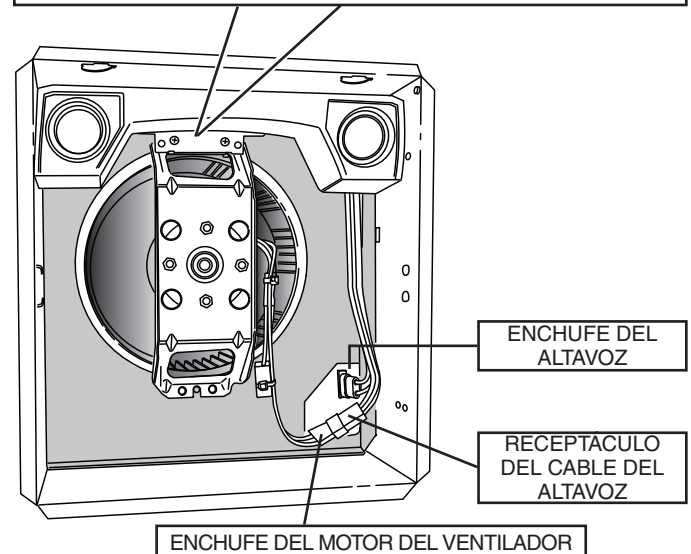
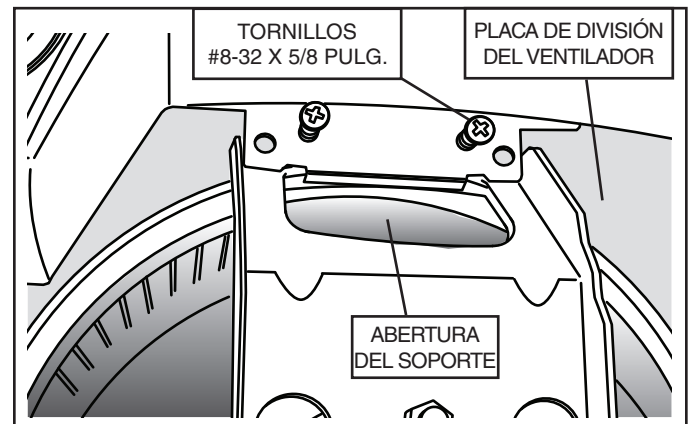
2. Retire la **REJILLA** del ventilador comprimiendo los dos **MUELLES DE LA REJILLA** y deslizándolos hacia afuera de sus ranuras de montaje a cada lado de la cubierta del ventilador. Desconecte el **CABLE DE LUZ** del ventilador (si el ventilador está equipado con una luz). Por ahora deje a un lado el ensamblaje de la rejilla.



3. Desconecte el **ENCHUFE DEL MOTOR DEL VENTILADOR**



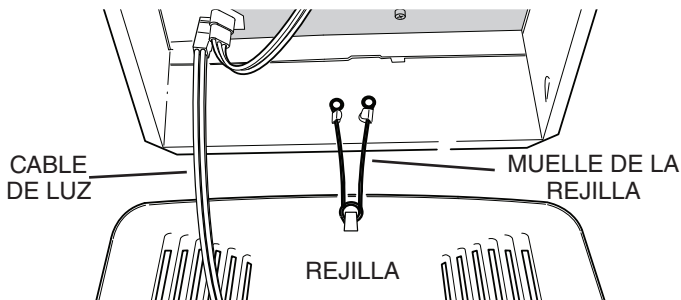
4. Instale parcialmente (2) tornillos #8-32 x 5/8 (incluidos) en los orificios roscados del soporte del altavoz, de tal manera que únicamente los extremos de los tornillos estén al ras de la superficie inferior del soporte del altavoz. Nota: Si se instalan los tornillos debajo del ras complicará los siguientes dos pasos.



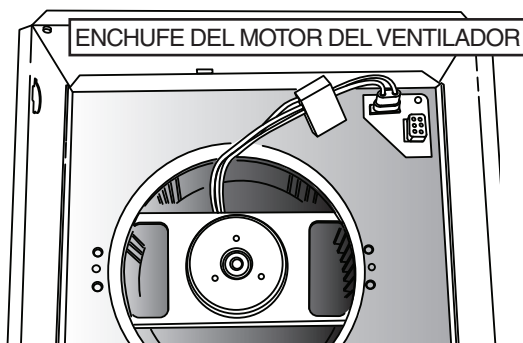
5. Inserte el altavoz en la cubierta del ventilador. Asegúrese de que el **SOPORTE DEL ALTAVOZ** se conecte sobre el borde de la **ABERTURA DEL SOPORTE**.
6. Asegúrese de que la superficie trasera del altavoz se encuentre tan cerca como sea posible de la pared de la cubierta del ventilador.
7. Dé vuelta a los **TORNILLOS #8-32 X 5/8 PULG.** (instalados parcialmente en el paso 3) hasta que entren en contacto con la **PLACA DE DIVISIÓN DEL VENTILADOR**. De manera alternada apriete ambos tornillos. **NO APRIETE DE MÁS.**
8. Inserte el **ENCHUFE DEL ALTAVOZ** en el receptáculo eléctrico donde desconectó el enchufe del motor.
9. Conecte el **ENCHUFE DEL MOTOR DEL VENTILADOR** en el **RECEPTÁCULO DEL CABLE DEL ALTAVOZ**.
10. Conecte el **CABLE DE LA LUZ** (si corresponde) y vuelva a instalar la rejilla que desconectó y quitó en el paso 2.
11. Active la electricidad al ventilador.
12. Vea las instrucciones de funcionamiento del altavoz Bluetooth® en la sección de Funcionamiento del altavoz Bluetooth®.

INSTALACIÓN CON EL SOPORTE PARA MOTOR “PLANO”

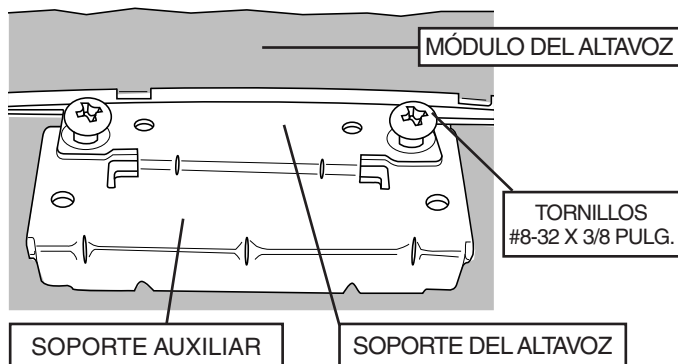
1. **PARA REDUCIR EL RIESGO DE INCENDIOS, DESCARGAS ELÉCTRICAS O LESIONES PERSONALES:** Interrumpa el suministro eléctrico en el panel de servicio y bloquee los medios de desconexión del servicio para evitar que la electricidad se reanude accidentalmente. Cuando no sea posible bloquear los medios de desconexión del servicio, fije firmemente una señal de advertencia (como una etiqueta) en un lugar visible del panel de servicio.



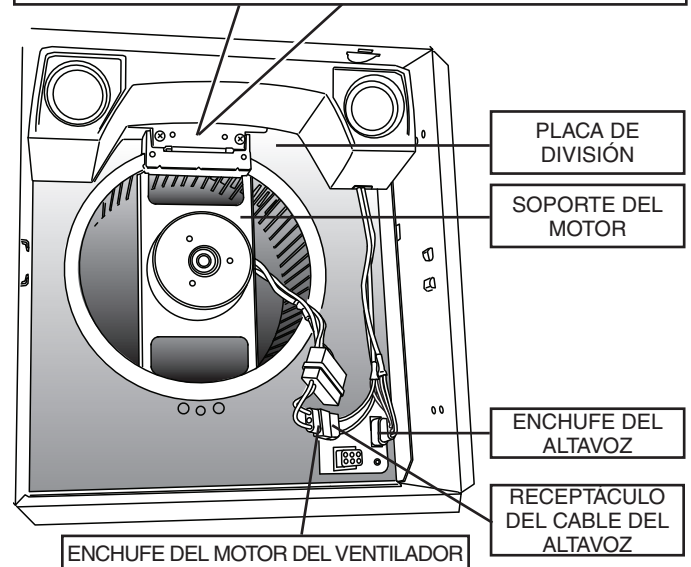
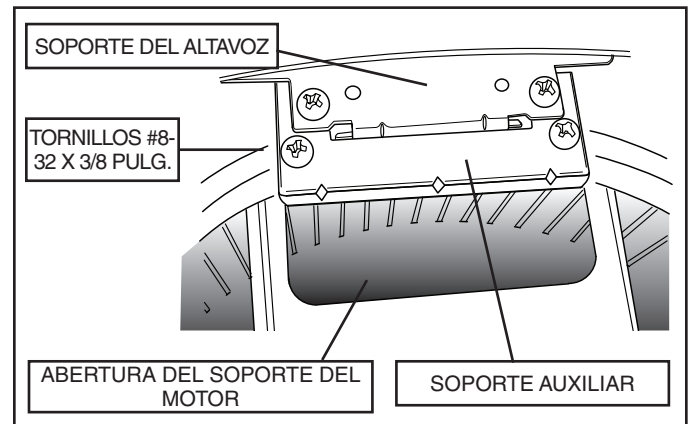
2. Retire la **REJILLA** del ventilador comprimiendo dos **MUELLES DE LA REJILLA** y deslizándolos hacia afuera de sus ranuras de montaje a cada lado de la cubierta del ventilador. Desconecte el **CABLE DE LUZ** del ventilador (si el ventilador está equipado con una luz). Por ahora deje a un lado el ensamblaje de la rejilla.



3. Desconecte el **ENCHUFE DEL MOTOR DEL VENTILADOR**.



4. Fije el **SOPORTE AUXILIAR** (soporte suelto en la bolsa de piezas) al **SOPORTE DEL ALTAVOZ** (fijo al **MÓDULO DEL ALTAVOZ**). Instale parcialmente (2) **TORNILLOS #8-32 X 3/8 PULG.** (tornillos cortos de la bolsa de piezas) en los orificios más grandes del soporte del altavoz hacia el soporte auxiliar, de tal manera que los extremos de los tornillos estén al ras de la superficie inferior del soporte auxiliar. Nota: Si se instalan los tornillos debajo del ras complicará los siguientes pasos.



5. Inserte el altavoz en la cubierta del ventilador. Asegúrese de que el **SOPORTE AUXILIAR** se conecte sobre el borde de la **ABERTURA DEL SOPORTE**.
6. Asegúrese de que la superficie trasera del altavoz se encuentre tan cerca como sea posible de la pared de la cubierta del ventilador.
7. Asegure el **SOPORTE DEL ALTAVOZ** al soporte auxiliar apretando los **TORNILLOS #8-32 X 3/8 PULG.** (instalados parcialmente en el paso 4). De manera alternada apriete ambos tornillos. **NO APRIETE DE MÁS.**
8. Asegure el altavoz al **SOPORTE DEL MOTOR** instalando los otros dos (2) **TORNILLOS #8-32 X 3/8 PULG.** en los orificios roscados en el **SOPORTE AUXILIAR**. Gire los tornillos hasta que entren en contacto con el “tope” de chapa metálica en la abertura del ventilador de la **PLACA DE DIVISIÓN**. De manera alternada apriete ambos tornillos. **NO APRIETE DE MÁS.**
9. Inserte el **ENCHUFE DEL ALTAVOZ** en el receptáculo eléctrico donde desconectó el enchufe del motor.
10. Conecte el **ENCHUFE DEL MOTOR DEL VENTILADOR** en el **RECEPTÁCULO DEL CABLE DEL ALTAVOZ**.
11. Conecte el **CABLE DE LA LUZ** (si corresponde) y vuelva a instalar la rejilla que desconectó y quitó en el paso 2.
12. Active la electricidad al ventilador.
13. Para ver las instrucciones de funcionamiento del altavoz, vaya a la sección “OPERACIÓN DEL ALTAVOZ con tecnología inalámbrica Bluetooth®”.

Tecnología inalámbrica Bluetooth® OPERACIÓN DEL ALTAVOZ

GARANTÍA

Para conectar por primera vez el altavoz con tecnología inalámbrica Bluetooth® de Broan-NuTone:

- Para reproducir sus archivos personales de música o audio, necesita un teléfono inteligente, tableta o algún otro dispositivo similar habilitado con tecnología inalámbrica Bluetooth.
- Antes de conectarlo al altavoz, configure su dispositivo con un volumen bajo a medio.
- Asegúrese de que el ventilador esté **ENCENDIDO** y que el dispositivo habilitado con tecnología inalámbrica Bluetooth® se encuentre a menos de 10 metros (aproximadamente 33 pies) del altavoz/ventilador.
- Acoplamiento de su dispositivo habilitado con tecnología inalámbrica Bluetooth® y el altavoz:
 - Para iPad/iPhone/iPod touch:**
 - Desde la página principal del iPad/iPhone/iPod touch, toque **Settings** (Configuración).
 - Desde Settings, toque **General** (si tiene el iOS 7 o posterior, puede saltarse este paso).
 - Desde General, toque **Bluetooth**.
 - Mueva el control deslizante de **Bluetooth** a **ON**/verde (si todavía no está en **ON** - activado). Cuando haga esto, aparecerá una lista de dispositivos con tecnología inalámbrica Bluetooth® que puede descubrir.
 - El altavoz Broan-NuTone tiene el identificador Bluetooth® "**Sensonic™ Vent Fan**". Este identificador debe encontrarse en la lista de **Discoverable Devices** (Dispositivos que puede descubrir). De no ser así, apague el ventilador, enciéndalo, desactive Bluetooth® y luego actívalo.
 - Si todavía no aparece en la lista "Sensonic™ Vent Fan", consulte el manual del propietario para ver su dispositivo y siga el procedimiento para acoplar/conectar un dispositivo con tecnología inalámbrica Bluetooth®.
 - Toque "**Sensonic™ Vent Fan**" para completar el acoplamiento del altavoz con tecnología inalámbrica Bluetooth® con su dispositivo Apple.
 - Para teléfonos/tabletas Android:**
 - Desde la página principal del teléfono inteligente/tableta, toque **Settings** (Configuración).
 - Desde el menú Settings, vaya a **Wireless & Controls, Wireless & Networks** (Inalámbrico y controles, inalámbrico y redes) o algo similar.
 - Encuentre **Bluetooth®, Bluetooth® Settings** o algo similar y toque **Bluetooth®** o mueva el control deslizante de **Bluetooth®** a **ON** (si todavía no lo está).
 - En la pantalla de **Bluetooth®**, toque "**Scan for Devices**", "**Search for Devices**" (Explorar por si hay dispositivos, Buscar dispositivos) o algo similar.
 - El altavoz Broan-NuTone tiene el identificador Bluetooth® "**Sensonic™ Vent Fan**". Este identificador debe encontrarse en la lista de **Available Devices** (Dispositivos disponibles). De no ser así, apague el ventilador, enciéndalo de nuevo y repita el procedimiento de acoplamiento.
 - Si todavía no aparece en la lista "**Sensonic™ Vent Fan**", consulte el manual del propietario de su dispositivo Android y siga el procedimiento para acoplar/conectar un dispositivo Bluetooth®.
 - Toque "**Sensonic™ Vent Fan**" para completar el acoplamiento del altavoz con tecnología inalámbrica Bluetooth® con su dispositivo Android.
 - Para todos los demás dispositivos habilitados con tecnología inalámbrica Bluetooth®:**
 - Siga las instrucciones incluidas con su teléfono o tableta habilitada con tecnología inalámbrica Bluetooth® para configurarla para que busque accesorios con Bluetooth®.
 - La mayoría de los dispositivos habilitados con Bluetooth® le pedirán que vaya a la pantalla "Paired Devices" (Dispositivos acoplados) (o similar) y que SELECCIONE "Search for Devices" (Buscar dispositivos) o algo similar.
 - El altavoz Broan-NuTone tiene el identificador Bluetooth® "**Sensonic™ Vent Fan**". Este identificador debe encontrarse en la lista de **Available Devices, Discoverable Devices** (Dispositivos disponibles, Dispositivos descubribles) o algo similar. De no ser así, apague el ventilador, enciéndalo de nuevo y repita el procedimiento de acoplamiento.
- Abra el programa de audio en su dispositivo y reproduzca su música u otros archivos de audio. El archivo de audio debe reproducirse en los altavoces del ventilador con Bluetooth®.
- Cuando termine de reproducir/escuchar sus archivos de audio, desconecte del altavoz apagando el ventilador, desactivando la tecnología inalámbrica Bluetooth® del dispositivo (teléfono inteligente, tableta, etc.) o simplemente aléjese. La tecnología inalámbrica Bluetooth® se desconectará automáticamente cuando el dispositivo esté lejos del alcance del altavoz, lo cual debe ocurrir cuando el dispositivo esté aproximadamente a 10 metros (33 pies) del altavoz.

Para conectarse al altavoz con tecnología inalámbrica Bluetooth® cada vez subsiguiente (después de realizar la conexión inicial):

- El altavoz Sensonic™ solo puede reproducir archivos de audio de un dispositivo con tecnología inalámbrica Bluetooth® a la vez, por lo que se debe **DESCONECTAR** un dispositivo (pero no necesariamente **DESACOPLAR**) antes de usar el altavoz con otro dispositivo.
- Si su dispositivo Bluetooth® quedó **DESCONECTADO**, pero no **DESACOPLADO** del altavoz la última vez que lo usó, entonces debe conectarse automáticamente la próxima vez que el dispositivo esté dentro de rango del altavoz, a menos que el altavoz ya esté **CONECTADO** a otro dispositivo.
 - Si su dispositivo no se **CONECTA** automáticamente con el altavoz, entonces encuentre su lista de "dispositivos acoplados" o similar, y **TOQUE** "Sensonic Vent Fan" (Ventilador Sensonic) para reconectarlo con el altavoz Sensonic™.
- Si su dispositivo con tecnología inalámbrica Bluetooth® fue **DESACOPLADO** del altavoz la última vez que lo usó, debe seguir el procedimiento de conexión en la sección anterior para **ACOPLAR** su dispositivo con el altavoz.
- Abra el programa de audio en su dispositivo y reproduzca su música u otros archivos de audio. El archivo de audio debe reproducirse en los altavoces del ventilador con Bluetooth®.
- Cuando termine de reproducir/escuchar sus archivos de audio, desconecte del altavoz apagando el ventilador, desactivando la tecnología inalámbrica Bluetooth® del dispositivo (teléfono inteligente, tableta, etc.) o simplemente aléjese. La tecnología inalámbrica Bluetooth® se desconectará automáticamente cuando el dispositivo esté lejos del alcance del altavoz, lo cual debe ocurrir cuando el dispositivo esté aproximadamente a 10 metros (33 pies) del altavoz.

Garantía limitada

Periodo y exclusiones de la garantía: Broan-NuTone LLC (la "Compañía") garantiza al consumidor comprador original de su producto ("usted") que el producto (el "Producto") estará libre de defectos en materiales en el Producto o en la mano de obra, por un periodo de tres (3) años a partir de la fecha de la compra original.

El periodo de garantía limitada para las piezas de repuesto provisto por la Compañía y para cualquier Producto reparado o reemplazado bajo esta garantía limitada continuará durante el resto del periodo de garantía original.

Esta garantía no cubre controles de velocidad, arrancadores de lámparas fluorescentes, tubos, bombillas de halógeno e incandescentes, fusibles, filtros, conductos, tapas de techo, tapas de pared ni otros accesorios para los conductos que se puedan comprar por separado e instalar con el Producto. Esta garantía tampoco cubre (a) mantenimiento y servicio normal, (b) uso y desgaste normal, (c) Productos o piezas sujetos a mal uso, abuso, uso anormal, negligencia, accidente, mantenimiento inadecuado o insuficiente, almacenamiento o reparación (que no sea reparación por parte de la Compañía), (d) daños causados por instalación defectuosa, o bien instalación o uso contrario a las recomendaciones o instrucciones, (e) cualquier Producto que se haya movido de su punto de instalación original, (f) daños ocasionados por el medio ambiente o los elementos naturales, (g) daños en tránsito, (h) desgaste natural del acabado, (i) Productos en uso comercial o no residencial o (j) daños ocasionados por incendio, inundación u otro caso fortuito. Esta garantía cubre solamente Productos vendidos a clientes originales en los Estados Unidos por la Compañía o a distribuidores de EE.UU. autorizados por la Compañía. Esta garantía sustituye a todas las garantías anteriores y no es transferible del comprador consumidor original.

No hay otras garantías: Esta Garantía Limitada contiene la única obligación de la Compañía y su recurso exclusivo para productos defectuosos. Las garantías anteriores son exclusivas y están en lugar de cualquier otra garantía, expresa o implícita. LA COMPAÑÍA NIEGA Y EXCLUYE CUALQUIER OTRA GARANTÍA EXPRESA, Y NIEGA Y EXCLUYE TODAS LAS GARANTÍAS IMPLÍCITAS POR LEY, INCLUYENDO, ENTRE OTRAS, LAS DE COMERCIALIZACIÓN Y APTITUD PARA UN PROPOSITO EN PARTICULAR. Hasta el grado que la ley correspondiente prohíba la exclusión de garantías implícitas, la duración de cualquier garantía implícita aplicable está limitada al periodo especificado para la garantía expresa anterior. Algunos estados no permiten limitaciones en la duración de una garantía implícita, así que la limitación anterior tal vez no aplique en su caso. Cualquier descripción verbal o escrita del Producto es para el único propósito de identificarlo y no deberá considerarse como una garantía expresa.

Siempre que sea posible, cada disposición de esta Garantía Limitada deberá interpretarse de tal manera que sea vigente y válida según la ley aplicable pero, si alguna disposición fuera considerada prohibida o inválida, dicha disposición quedará sin efecto únicamente hasta el grado de dicha prohibición o invalidez, sin invalidar el resto de dicha disposición o el resto de las disposiciones de la Garantía Limitada.

Recurso: Durante el periodo de garantía limitada aplicable, la Compañía, a su opción, suministrará piezas de repuesto, o reparará o reemplazará, sin cargo alguno, cualquier Producto o pieza del mismo, hasta el grado en que la Compañía lo encuentre cubierto bajo esta garantía limitada y en incumplimiento de la misma en condiciones normales de uso y servicio. La Compañía le enviará el Producto reparado o reemplazado o las piezas de repuesto sin cargo. Usted es responsable de todos los costos de retiro, reinstalación y envío, seguro u otros cargos de flete incurridos en el envío del Producto o pieza a la Compañía. Si debe enviar el Producto o la pieza a la Compañía, tal como lo indique la Compañía, debe empacar adecuadamente el Producto o la pieza; la Compañía no se hace responsable por los daños en tránsito. La Compañía se reserva el derecho de utilizar Productos o piezas reacondicionados, renovados, reparados o refabricados en el proceso de reemplazo o reparación de garantía. Dichos Productos y piezas serán comparables en función y desempeño a un Producto o una pieza original y tendrán garantía por el resto del periodo de la garantía original.

Exclusión de daños: LA OBLIGACIÓN DE LA COMPAÑÍA DE SUMINISTRAR PIEZAS DE REPUESTO, O DE REPARAR O REEMPLAZAR, A OPCIÓN DE LA COMPAÑÍA, SERÁ SU ÚNICO Y EXCLUSIVO RECURSO BAJO ESTA GARANTÍA LIMITADA, Y LA ÚNICA Y EXCLUSIVA OBLIGACIÓN DE LA COMPAÑÍA. LA COMPAÑÍA NO SERÁ RESPONSABLE POR DAÑOS INCIDENTALES, INDIRECTOS, RESULTANTES O ESPECIALES QUE SURJAN POR EL USO O DESEMPEÑO DEL PRODUCTO, O EN RELACIÓN CON EL MISMO.

Algunos estados no permiten la exclusión o limitación de daños incidentales o resultantes, por lo que la limitación antes mencionada podría no aplicarse a usted. Esta garantía le otorga derechos legales específicos, y usted podría tener otros derechos que varían de un estado a otro.

Esta garantía cubre únicamente el reemplazo o la reparación de Productos o piezas de los mismos con defectos en la planta principal de la Compañía, y no incluye el costo del viaje para el servicio de campo ni los viáticos.

Cualquier asistencia que proporcione o procure la Compañía para usted fuera de los términos, limitaciones o exclusiones de esta garantía limitada no constituirá una renuncia a dichos términos, limitaciones o exclusiones, ni dicha asistencia extenderá o renovará la garantía.

La Compañía no le reembolsará ningún gasto en el que usted haya incurrido al reparar o reemplazar cualquier Producto defectuoso, excepto los incurridos con el permiso previo por escrito de la Compañía.

Cómo obtener el servicio cubierto por la garantía: Para tener derecho al servicio cubierto por la garantía, usted debe (a) notificar a la Compañía a la dirección o número de teléfono que aparecen abajo en un plazo de siete (7) días después de descubrir el defecto cubierto, (b) proporcionar el número de modelo y la identificación de la pieza y (c) describir la naturaleza de cualquier defecto en el Producto o la pieza. En el momento de solicitar el servicio cubierto por la garantía, debe presentar un comprobante de la fecha de compra original. Si no puede presentar una copia de la garantía limitada original por escrito, entonces regístran los términos de la garantía limitada por escrito más actualizada de la Compañía para su producto en particular. Las garantías limitadas por escrito más actualizadas para los productos de la Compañía se pueden encontrar en www.broan.com.

Broan-NuTone LLC 926 West State Street Hartford, WI 53027 États-Unis
www.broan.com 800-637-1453